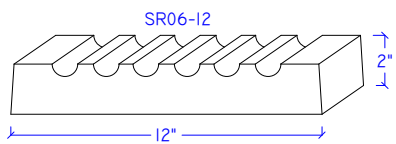
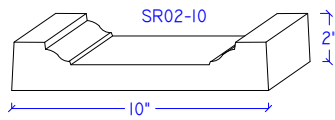
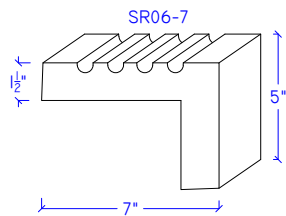
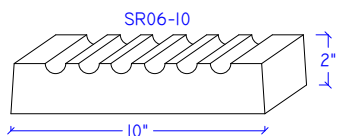
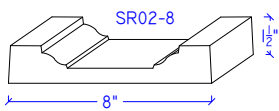
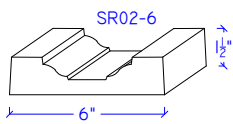
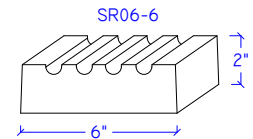
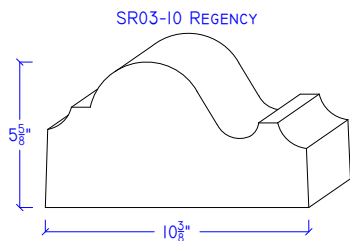
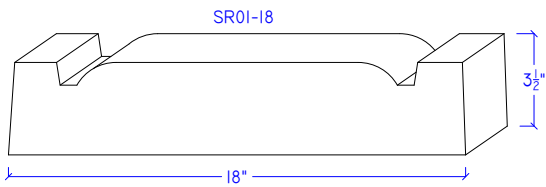
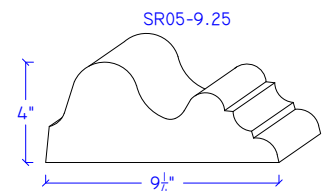
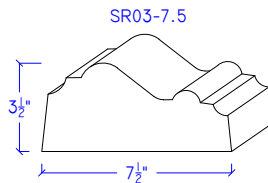
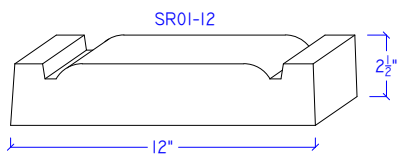
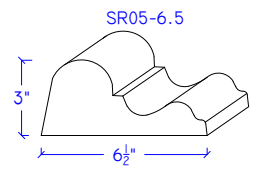
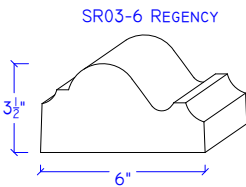
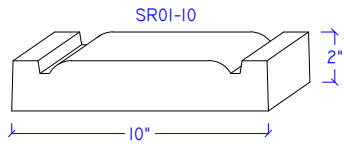
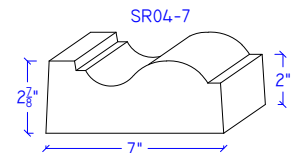
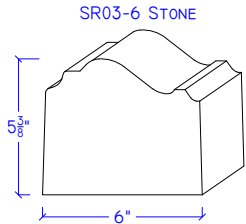
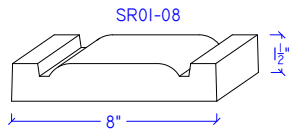
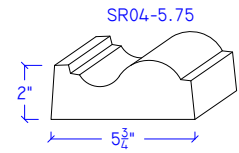
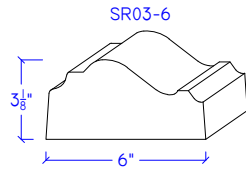
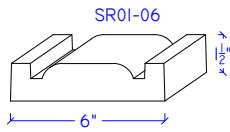
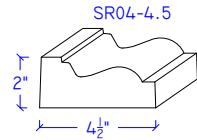
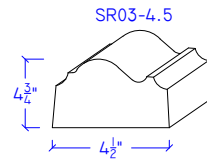
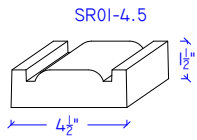


VINTAGE

CAST STONE MANUFACTURES

215 Rocklitz Rd. Ventura California

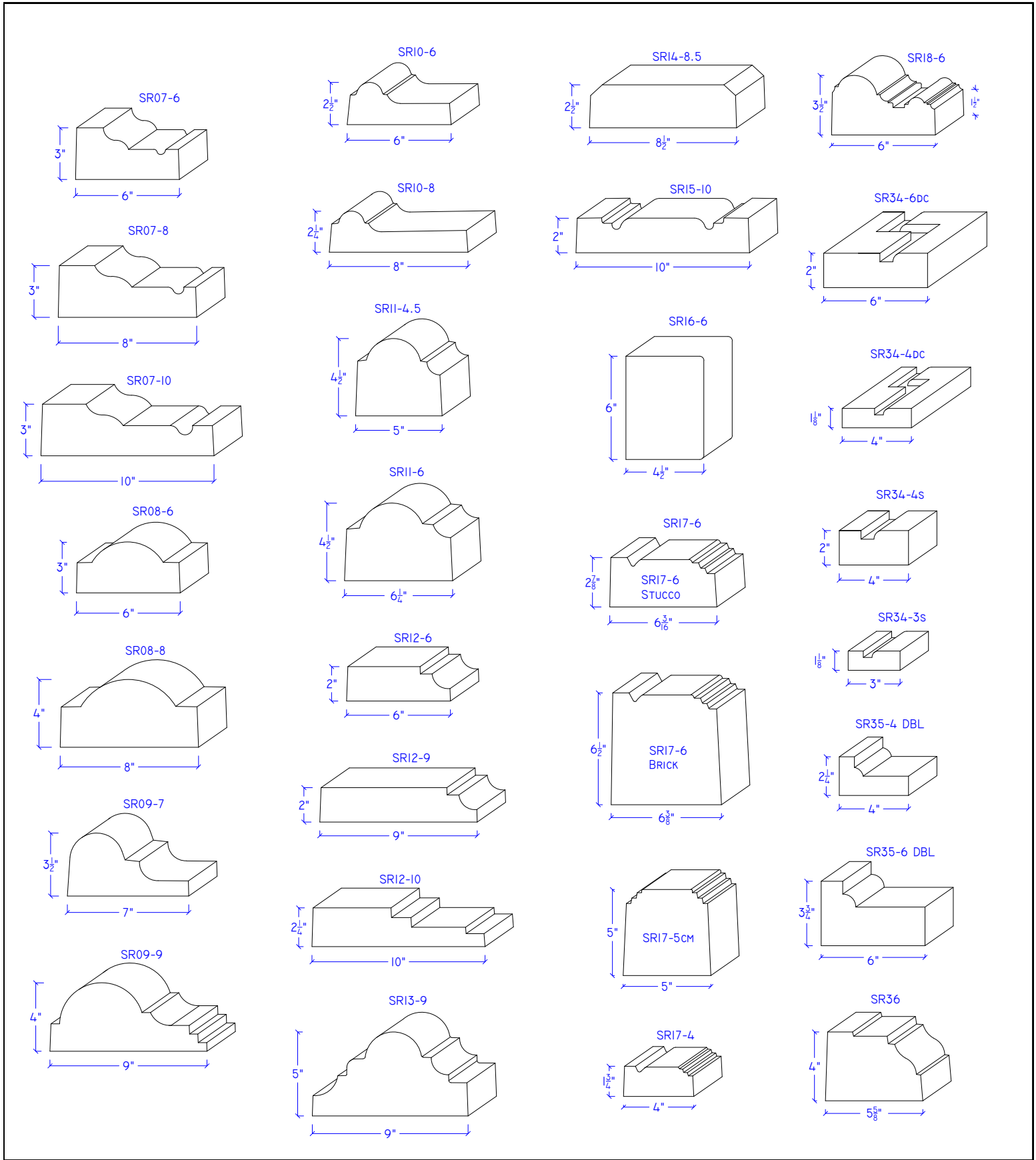




VINTAGE CAST STONE MANUFACTURES ©

215 ROCKLITE RD.
VENTURA CA 93001
PH: (805) 889-1208
VINTAGECASTSTONE.COM

Surrounds



VINTAGE CAST STONE MANUFACTURES®

215 ROCKLITE RD.

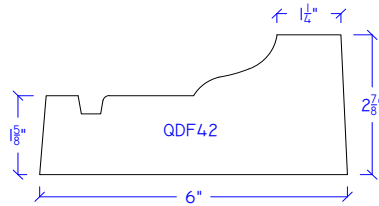
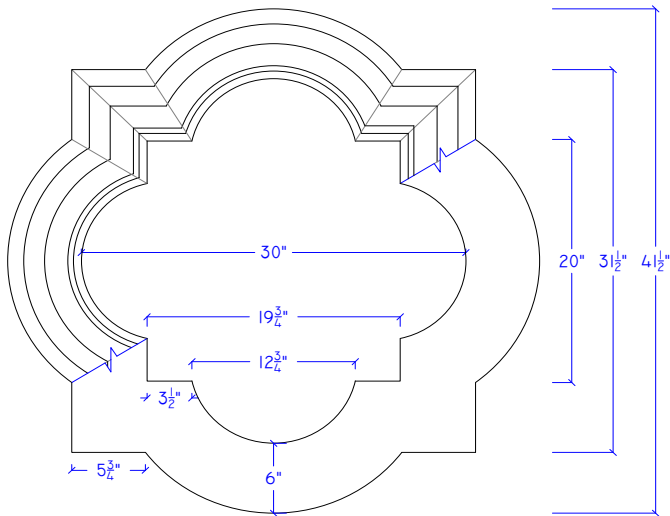
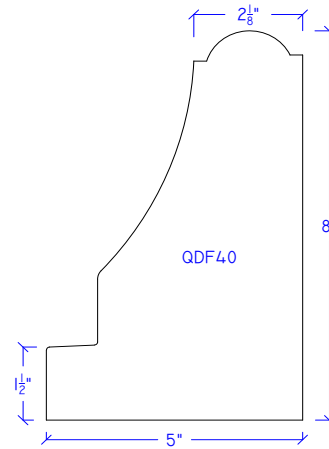
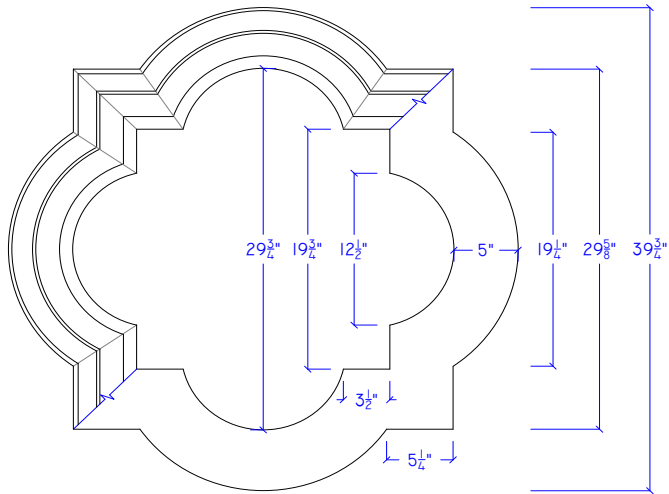
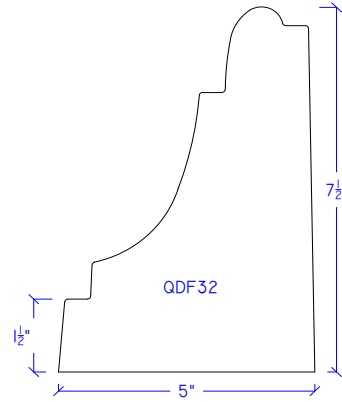
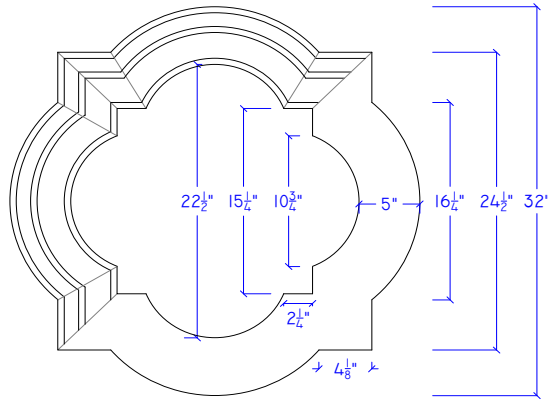
VENTURA CA 93001

PH: (805) 889-1208

VINTAGECASTSTONE.COM

Surrounds

QUATREFOILS



SCALE: 3" = 1"

SCALE: 3/4" = 1"

VINTAGE CAST STONE MANUFACTURES ©

215 ROCKLITE RD.

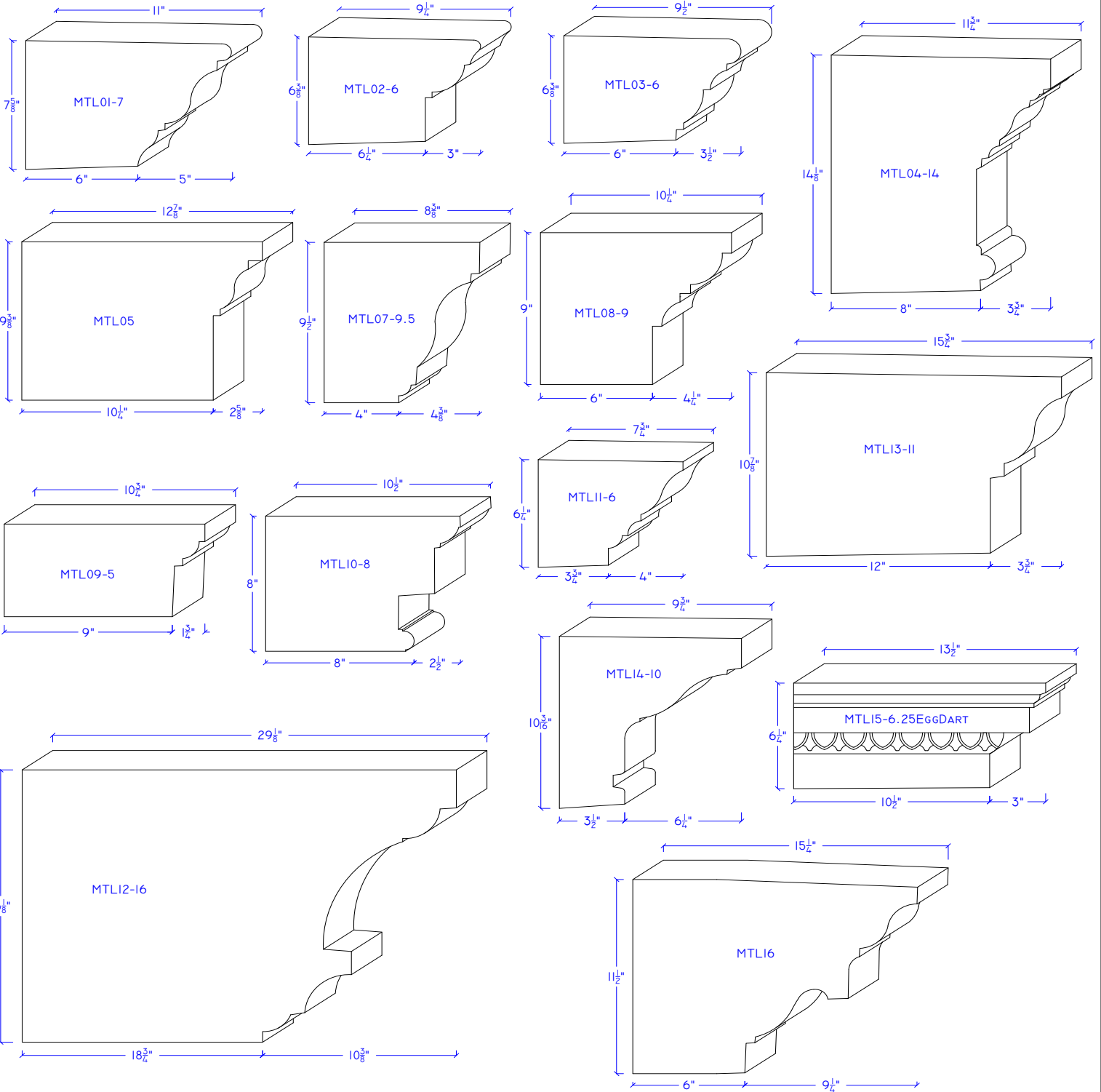
VENTURA CA 93001

PH: (805) 889-1208

VINTAGECASTSTONE.COM

Quatrefoils

MANTELS



VINTAGE CAST STONE MANUFACTURES ©

215 ROCKLITE RD.

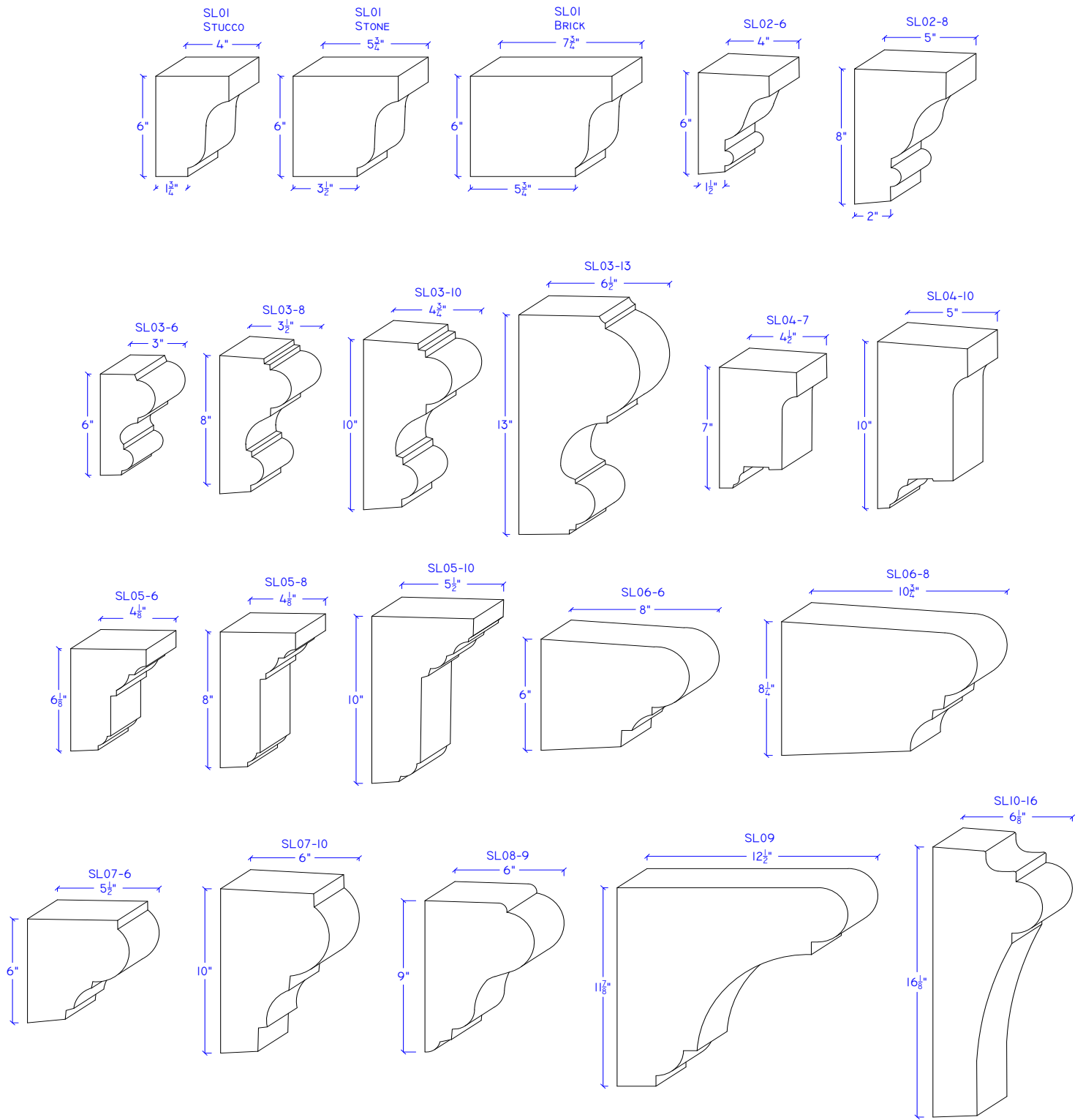
VENTURA CA 93001

PH: (805) 889-1208

VINTAGECASTSTONE.COM

Mantels

SILLS



VINTAGE CAST STONE MANUFACTURES®

215 ROCKLITE RD.

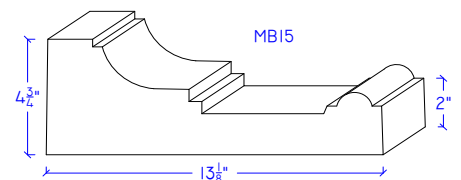
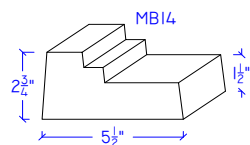
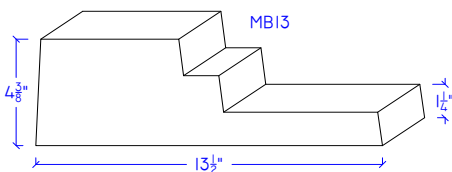
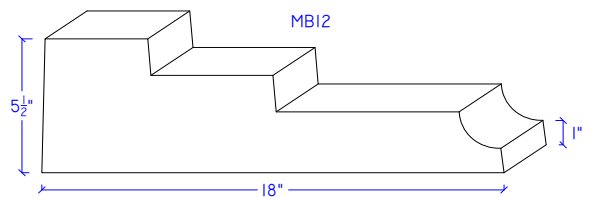
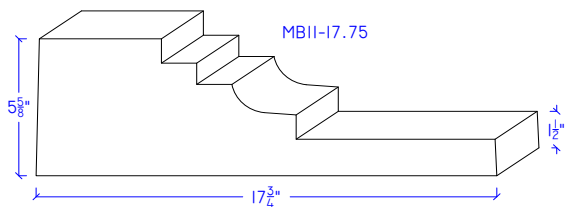
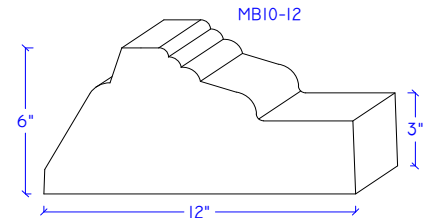
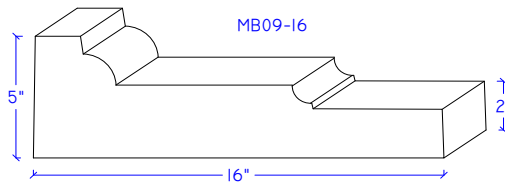
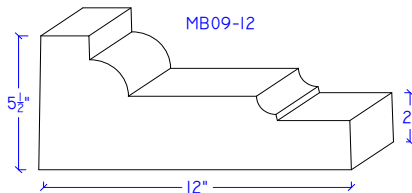
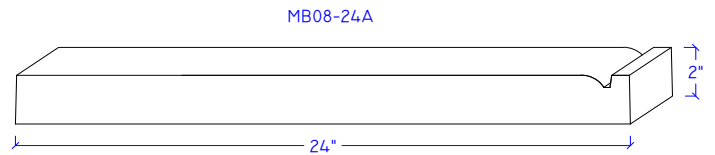
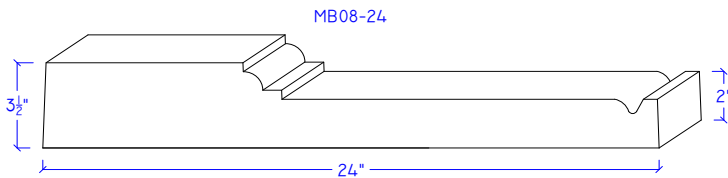
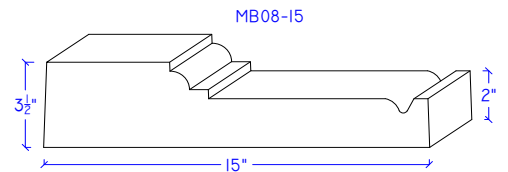
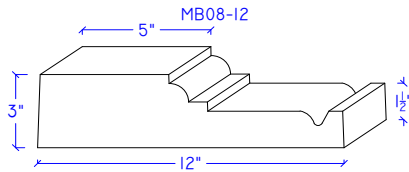
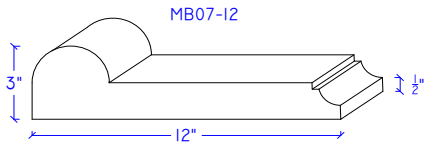
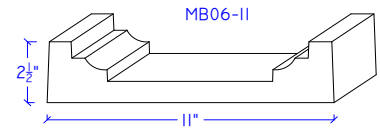
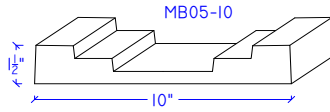
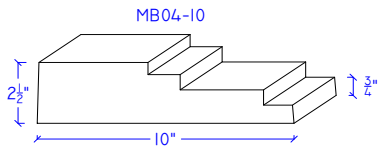
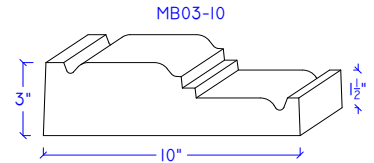
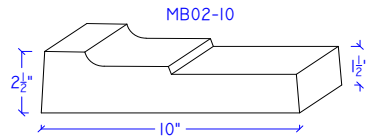
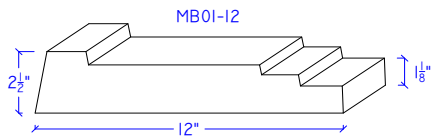
VENTURA CA 93001

PH: (805) 889-1208

VINTAGECASTSTONE.COM

Sills

MID BANDS



VINTAGE CAST STONE MANUFACTURES®

215 ROCKLITE RD.

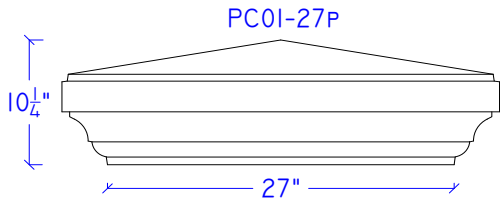
VENTURA CA 93001

PH: (805) 889-1208

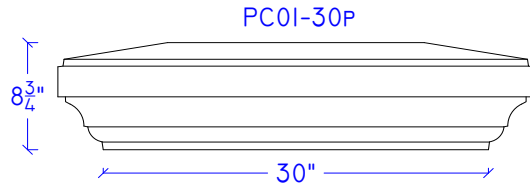
VINTAGECASTSTONE.COM

Midbands

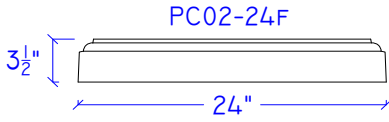
PILASTER CAPS



PC01 (PEAKED)
SQUARE SIZES: 18", 24", 27", 31", 37"

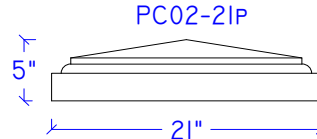


PC01 (FLAT)
SQUARE SIZE: 24", 30"



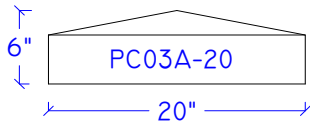
PC02-24F

PC02F (FLAT) SIZES:
2 1/2" DEEP:
12", 16", 18"x28", 26"
3 1/2" DEEP:
12"x24", 13", 14", 20", 24"
OTHER:
17"x17"x3", 25 1/2"x4 1/2"x3",
28"x28"x6"



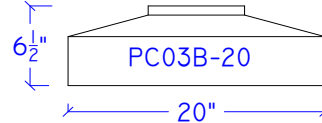
PC02-21P

PC02P (PEAKED)
SQUARE SIZES:
13", 21", 24", 28"
RECTANGLE SIZE:
21" x 25"



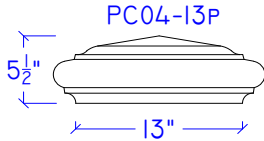
PC03A-20

PC03A (PEAK)
SQUARE SIZES:
15", 20", 24", 32", 38"



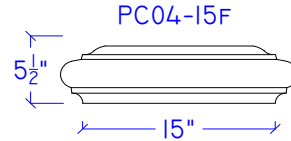
PC03B-20

PC03B (PLATFORM)
SQUARE SIZE:
20"



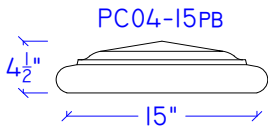
PC04-13P

PC04 (WITH PEAK)
SQUARE SIZES:
13", 16", 18", 20"
24", 26", 32", 40"



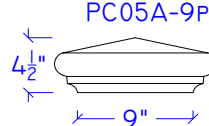
PC04-15F

PC04 (FLAT)
SQUARE SIZES:
13", 15", 21", 30"
CIRCULAR SIZE: 24"

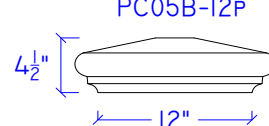


PC04-15PB

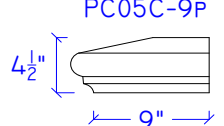
PC04PB (PEAKED/BLOCKED)
SQUARE SIZES:
15", 20", 22", 26", 34", 42"



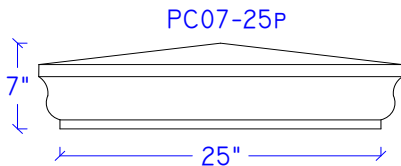
PC05A-9P



PC05B-12P

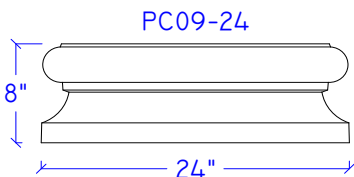


PC05C-9P

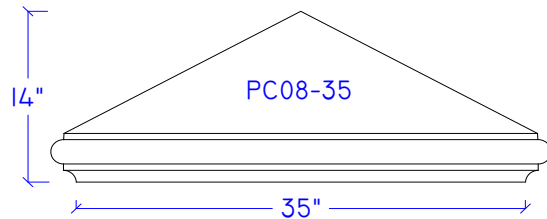


PC07-25P

PC07P (PEAKED)
SQUARE SIZES:
13", 20.5", 25"



PC09-24



PC08-35

VINTAGE CAST STONE MANUFACTURES ©

215 ROCKLITE RD.

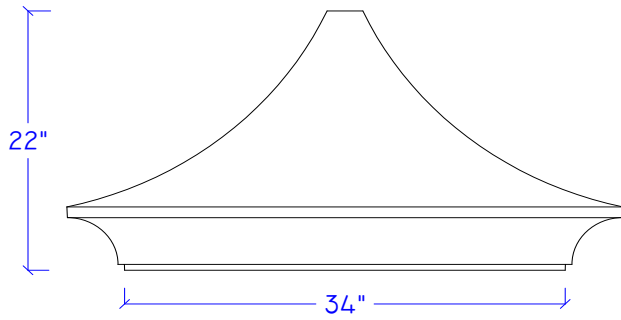
VENTURA CA 93001

PH: (805) 889-1208

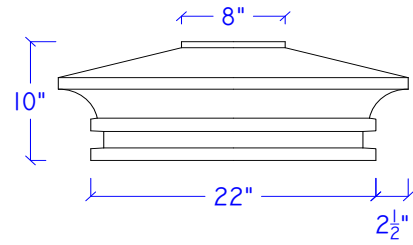
VINTAGECASTSTONE.COM

PILASTER CAPS

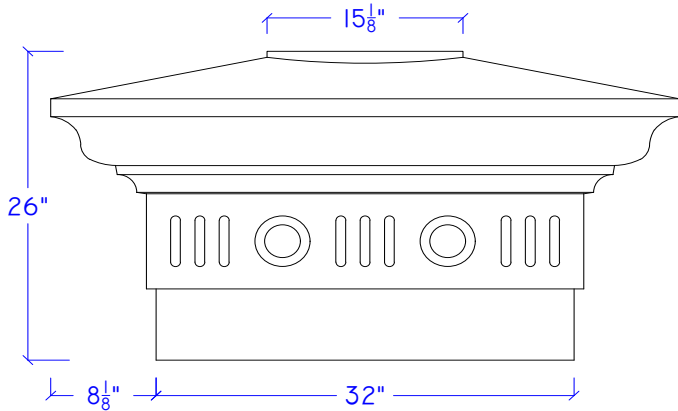
PCI0-34



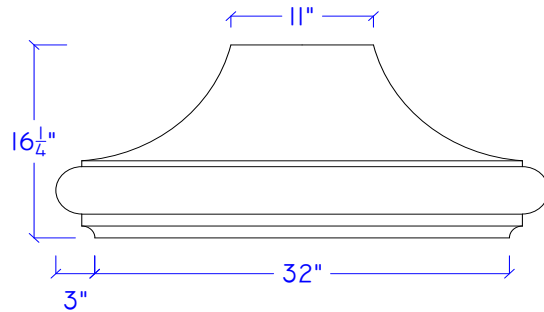
PCI1-22



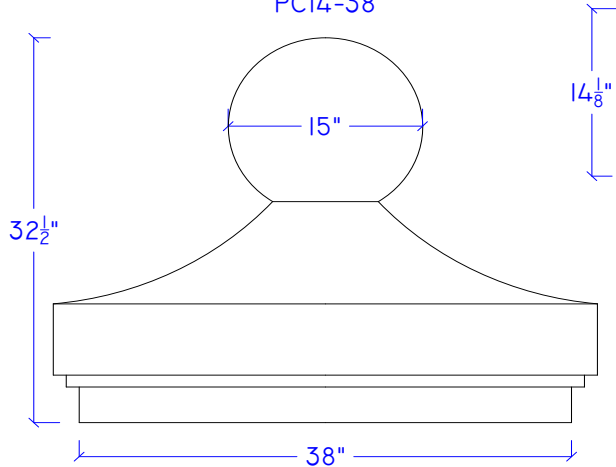
PCI2-32



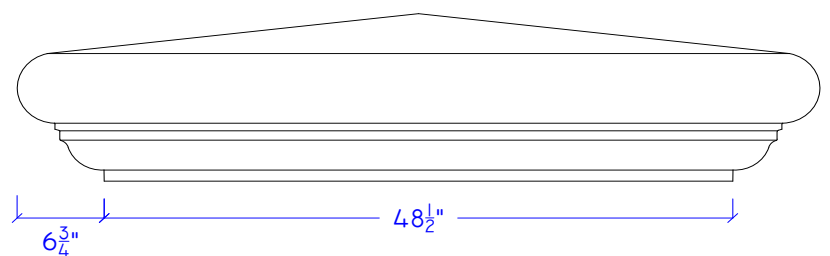
PCI3-32



PCI4-38



PCI5-48.5



VINTAGE CAST STONE MANUFACTURES ©

215 ROCKLITE RD.

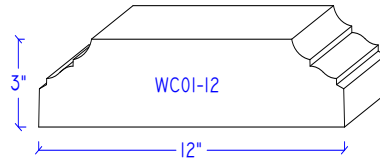
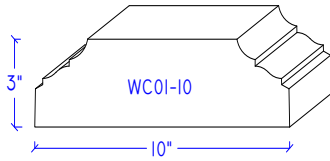
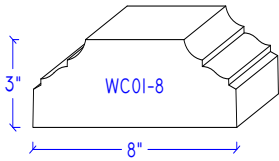
VENTURA CA 93001

PH: (805) 889-1208

VINTAGECASTSTONE.COM

Pilaster Caps

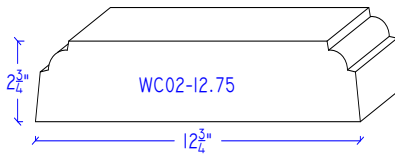
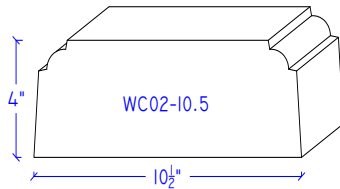
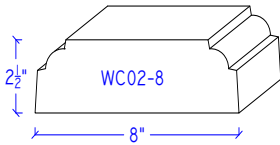
WALL CAPS



WC01-14" ALSO AVAILABLE
STRAIGHTS ARE 36" LONG

RADIUS SIZES FOR WC01-10
4', 30', 14', 13', 10', 5',
4'-3", 3', 2'-8"

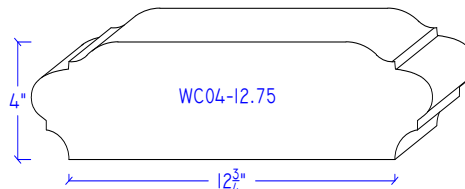
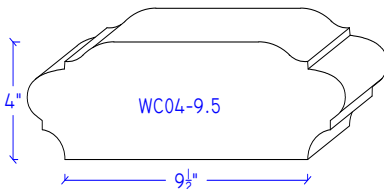
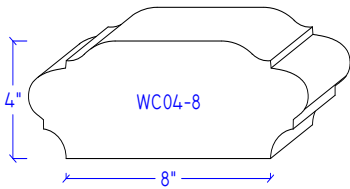
RADIUS SIZES FOR WC01-12
40', 25', 8'-4", 7'-6"



WC02-6", WC02-14", WC02-16",
WC02-18" ALSO AVAILABLE
STRAIGHTS ARE 36" LONG

RADIUS SIZES FOR WC02-8
23'-6", 14', 12'-9", 11'-6"
10'-7", 9'9", 8', 7', 6', 4'

RADIUS SIZES FOR WC02-10.5
23'-6", 16'-6", 14', 12'-9",
10'-7", 9'9", 8'

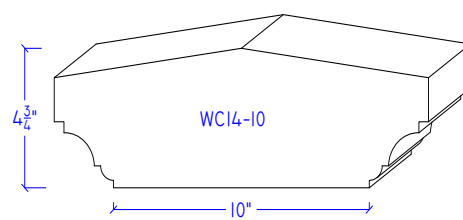
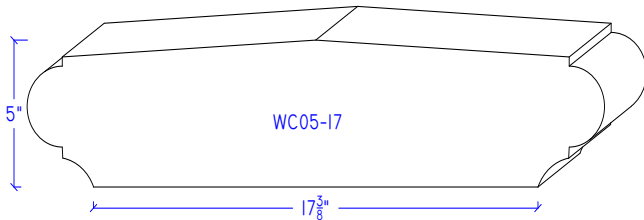


OTHER WC04 AVAILABLE:
WC04-6", WC04-10.5",
WC04-14", WC04-18",
WC04-21"
STRAIGHTS ARE 36" LONG

RADIUS SIZES FOR WC04-8
5'-6"(OUTSIDE), 4', 23'

RADIUS SIZES FOR WC04-9.5
28", 3'-6", 4', 5'-6",
6', 6'-6", 8', 10'-4"

RADIUS SIZES FOR WC04-12.75
52 1/2", 8'(OUTSIDE), 13', 23'



VINTAGE CAST STONE MANUFACTURES ©

215 ROCKLITE RD.

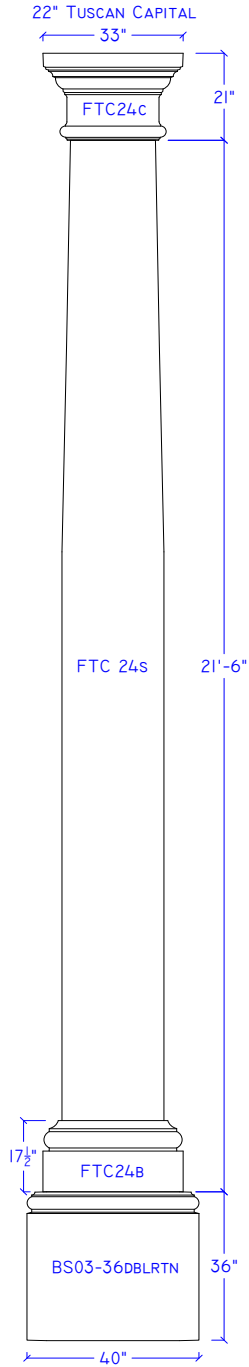
VENTURA CA 93001

PH: (805) 889-1208

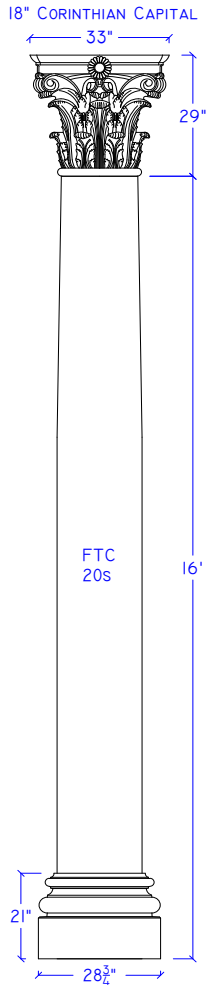
VINTAGECASTSTONE.COM

Wall Caps

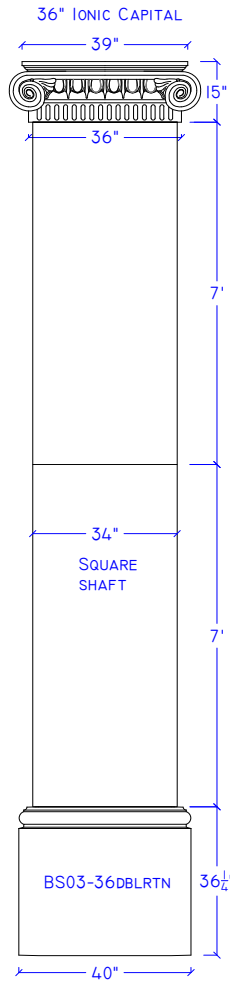
LARGE COLUMNS



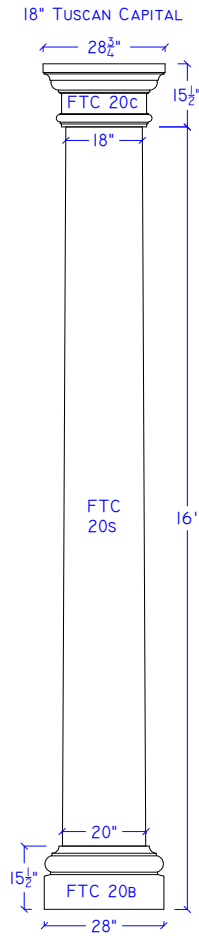
TUSCAN COLUMN
W/ 24" SMOOTH SHAFT



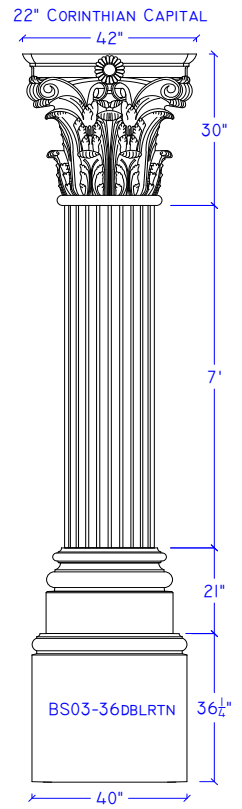
CORINTHIAN COLUMN
W/ 20" SMOOTH SHAFT



IONIC COLUMN
W/ 34" SQUARE SHAFT



TUSCAN COLUMN
W/ 20" SMOOTH SHAFT



CORINTHIAN COLUMN
W/ 20" FLUTED SHAFT

VINTAGE CAST STONE MANUFACTURES ©

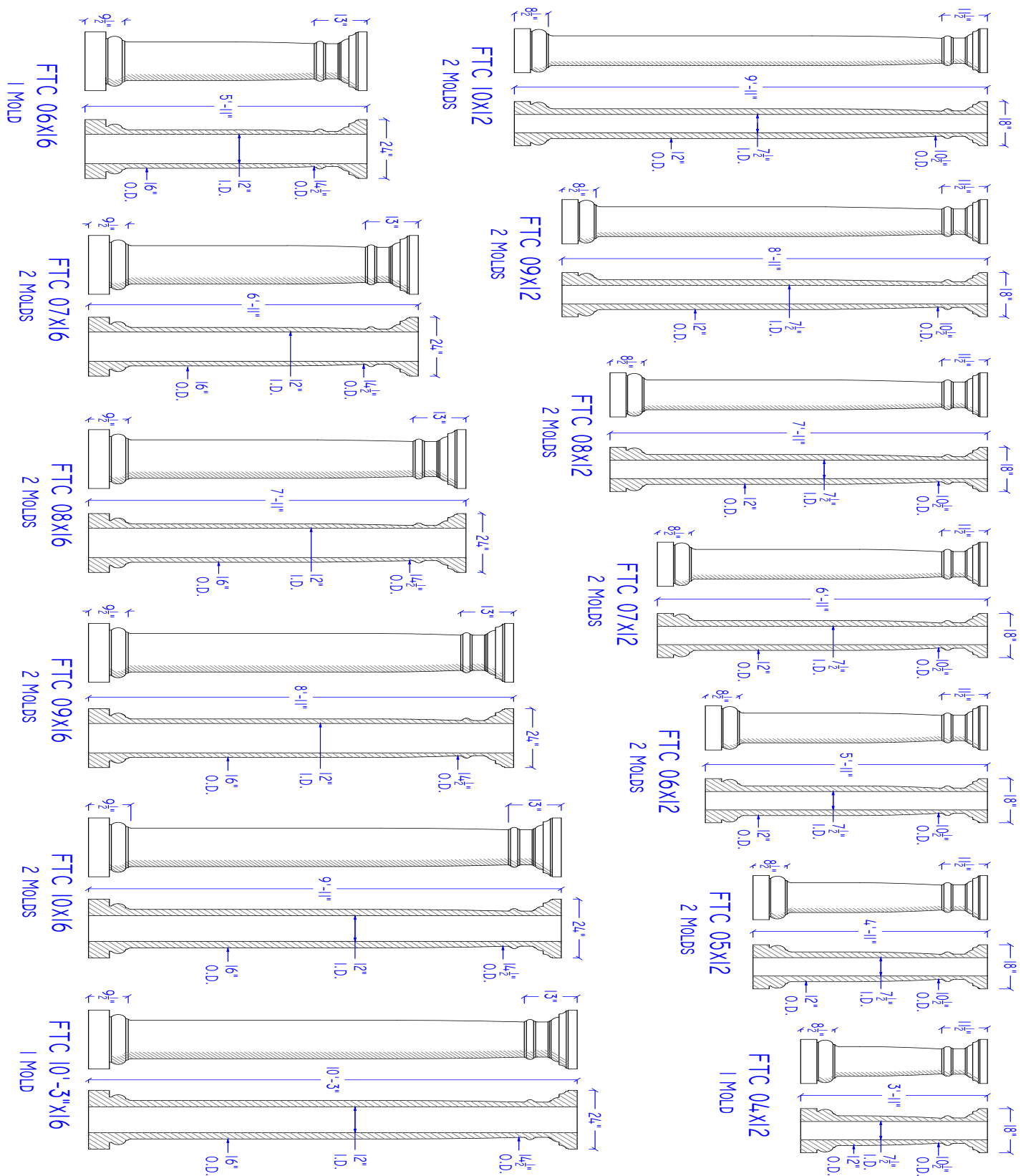
215 ROCKLITE RD.

VENTURA CA 93001

PH: (805) 889-1208

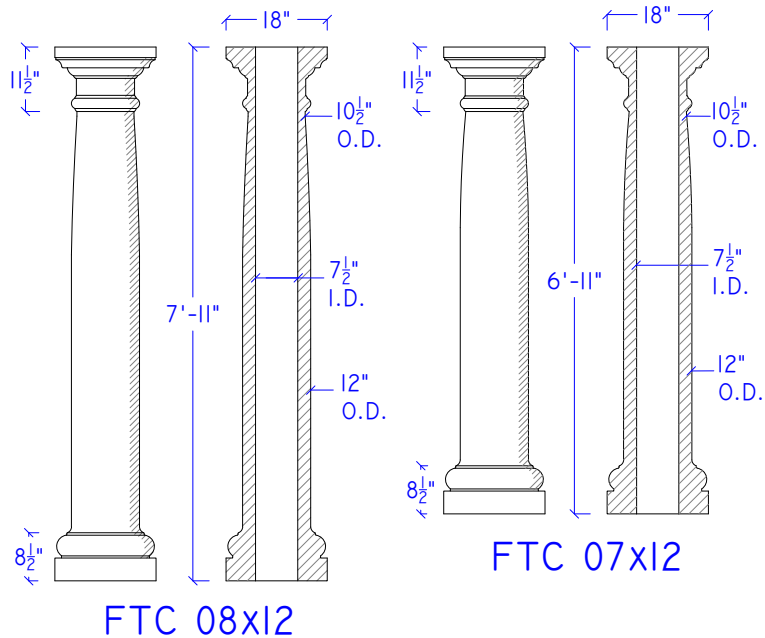
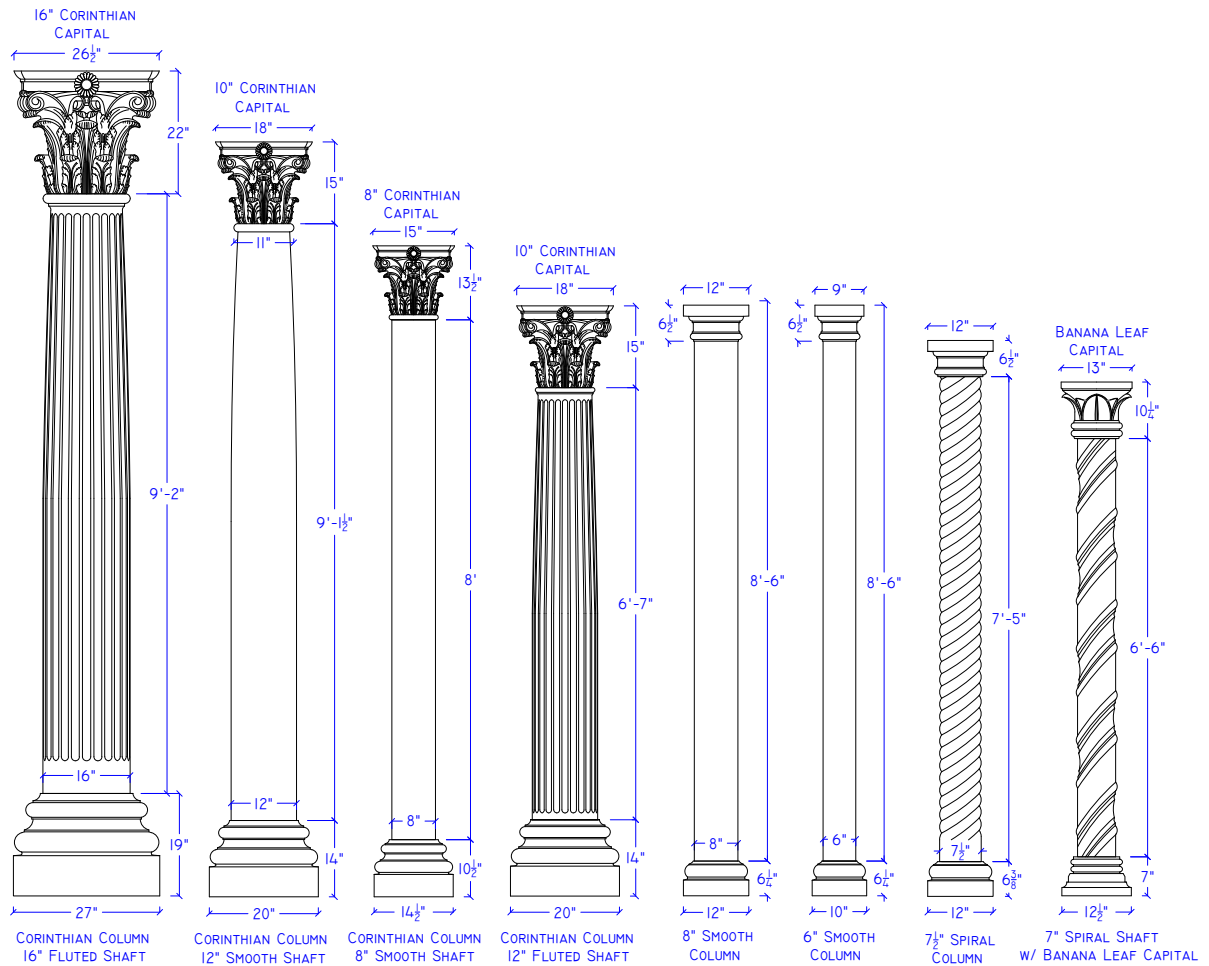
VINTAGECASTSTONE.COM

Columns



VINTAGE CAST STONE MANUFACTURES

215 ROCKLITE RD.
 VENTURA CA 93001
 PH: (805) 889-1208
 VINTAGECASTSTONE.COM



VINTAGE CAST STONE MANUFACTURES®

215 ROCKLITE RD.

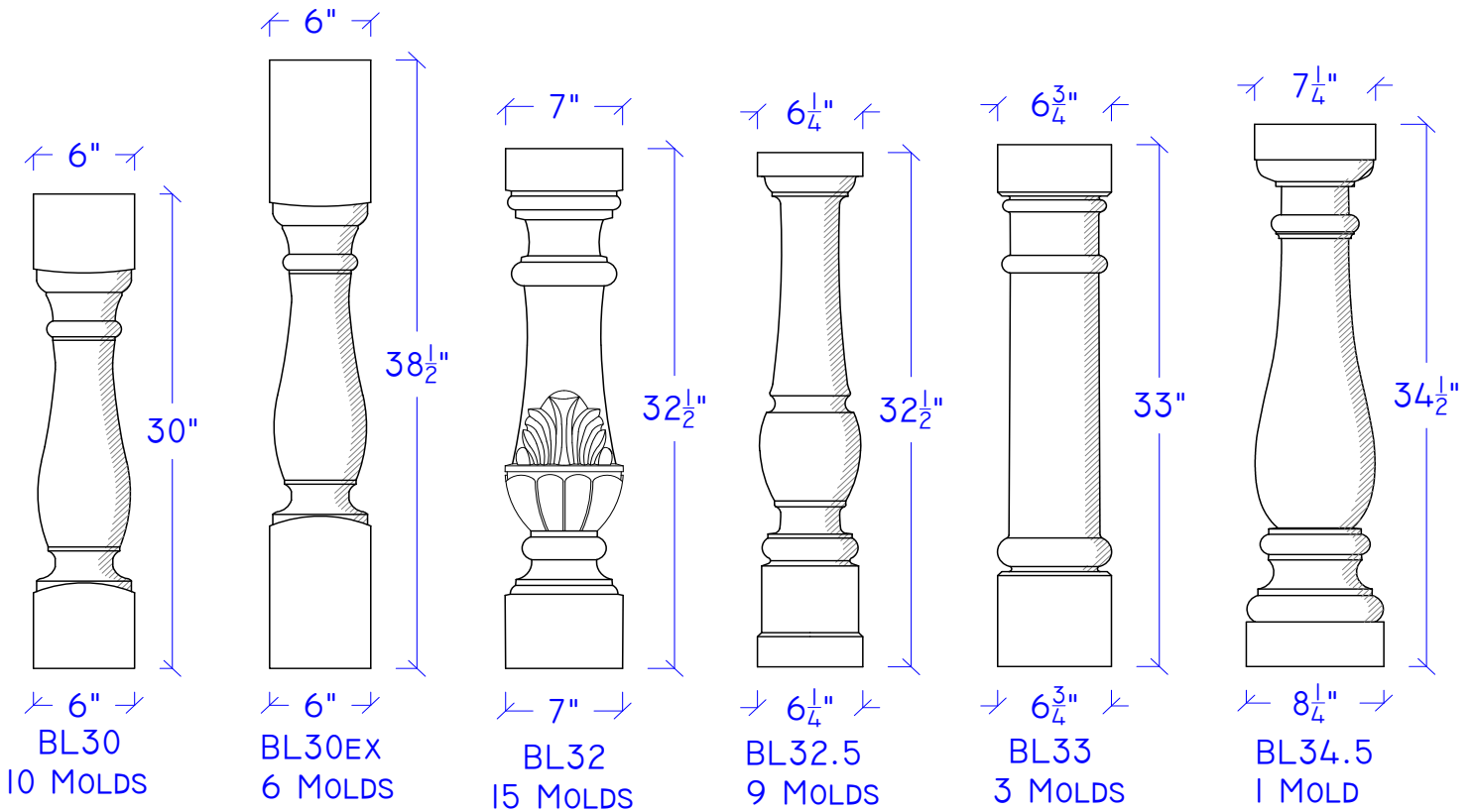
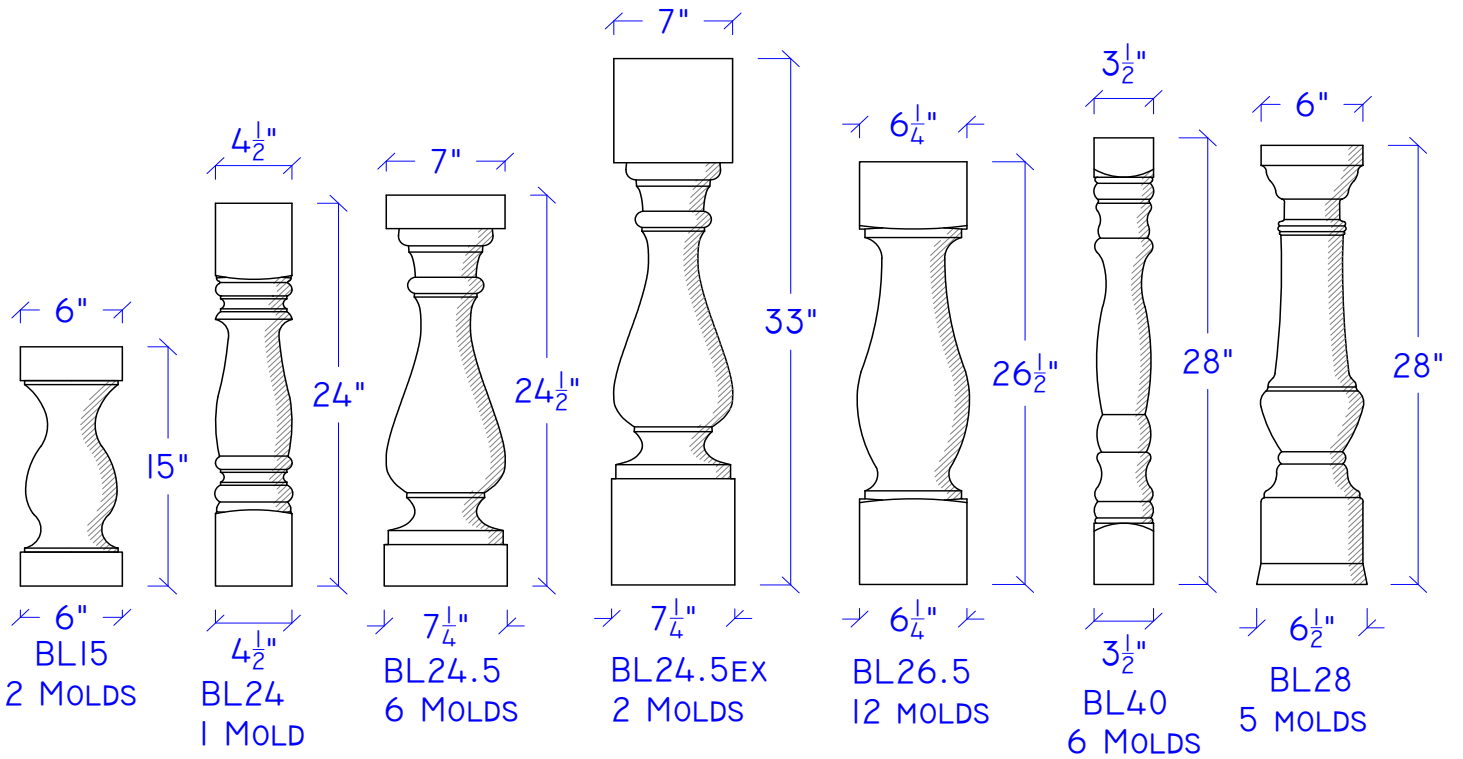
VENTURA CA 93001

PH: (805) 889-1208

VINTAGECASTSTONE.COM

Columns

BALUSTERS



VINTAGE CAST STONE MANUFACTURES ©

215 ROCKLITE RD.

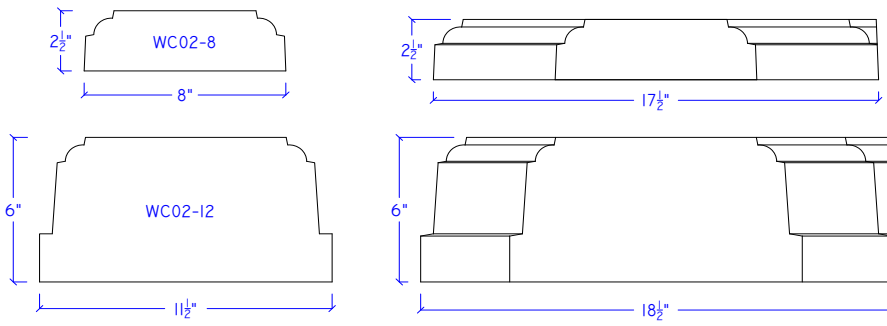
VENTURA CA 93001

PH: (805) 889-1208

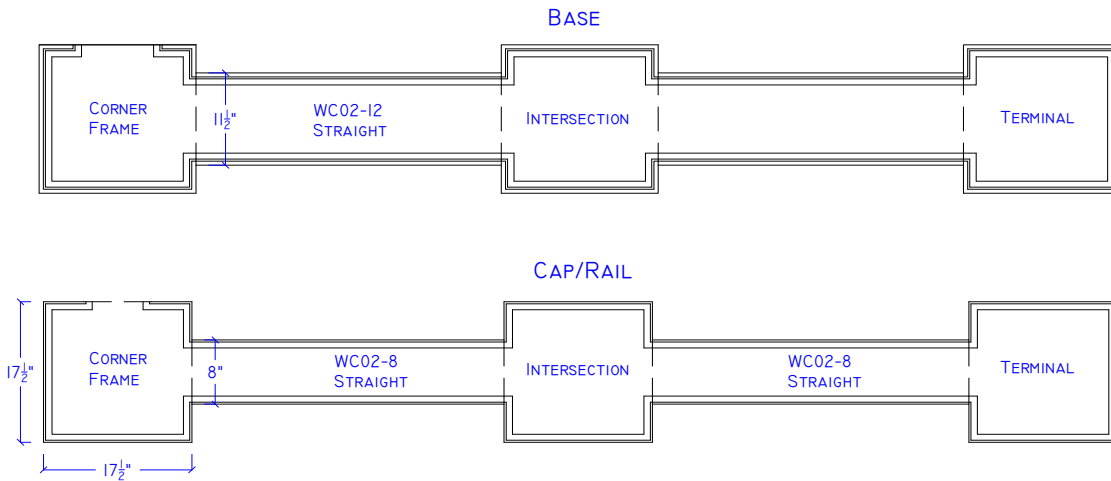
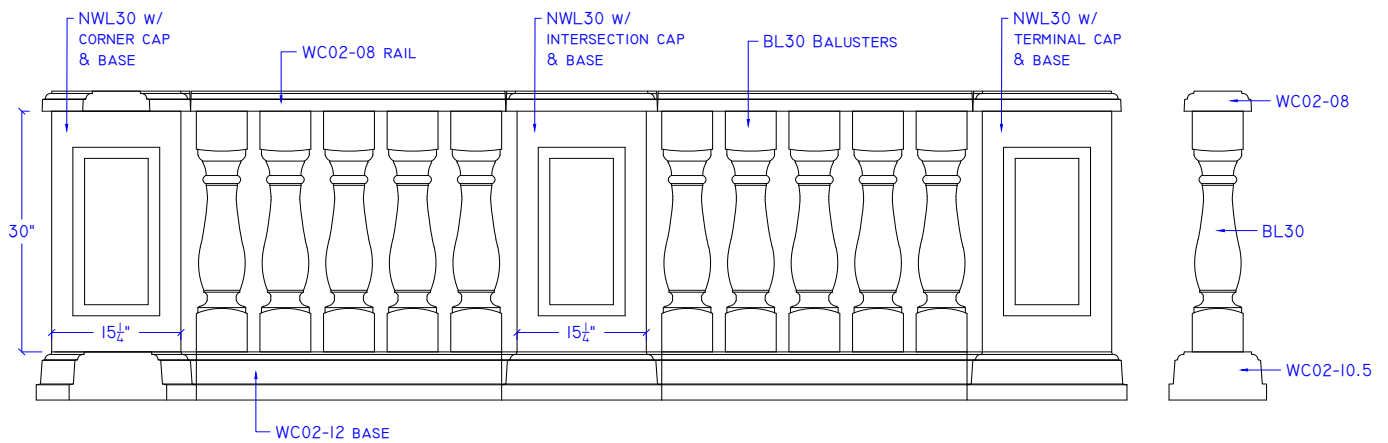
VINTAGECASTSTONE.COM

Baluster

BALUSTRADE ASSEMBLY



SCALE: 1/2" = 1'



SCALE: 3/4" = 1'

VINTAGE CAST STONE MANUFACTURES ©

215 ROCKLITE RD.

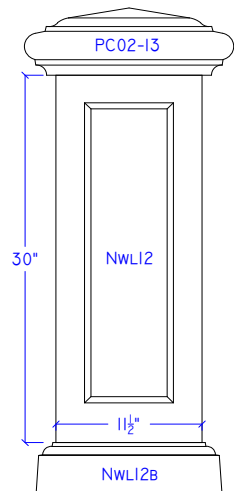
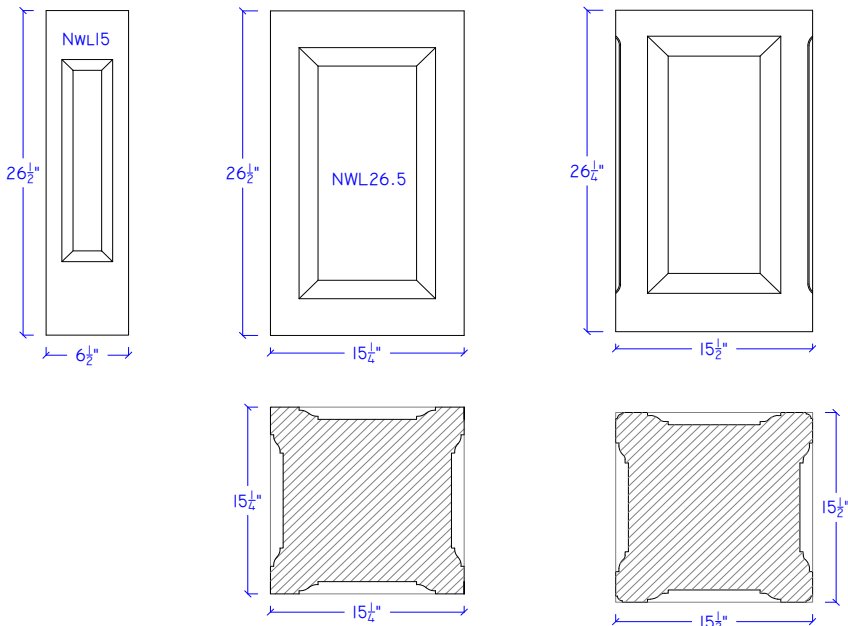
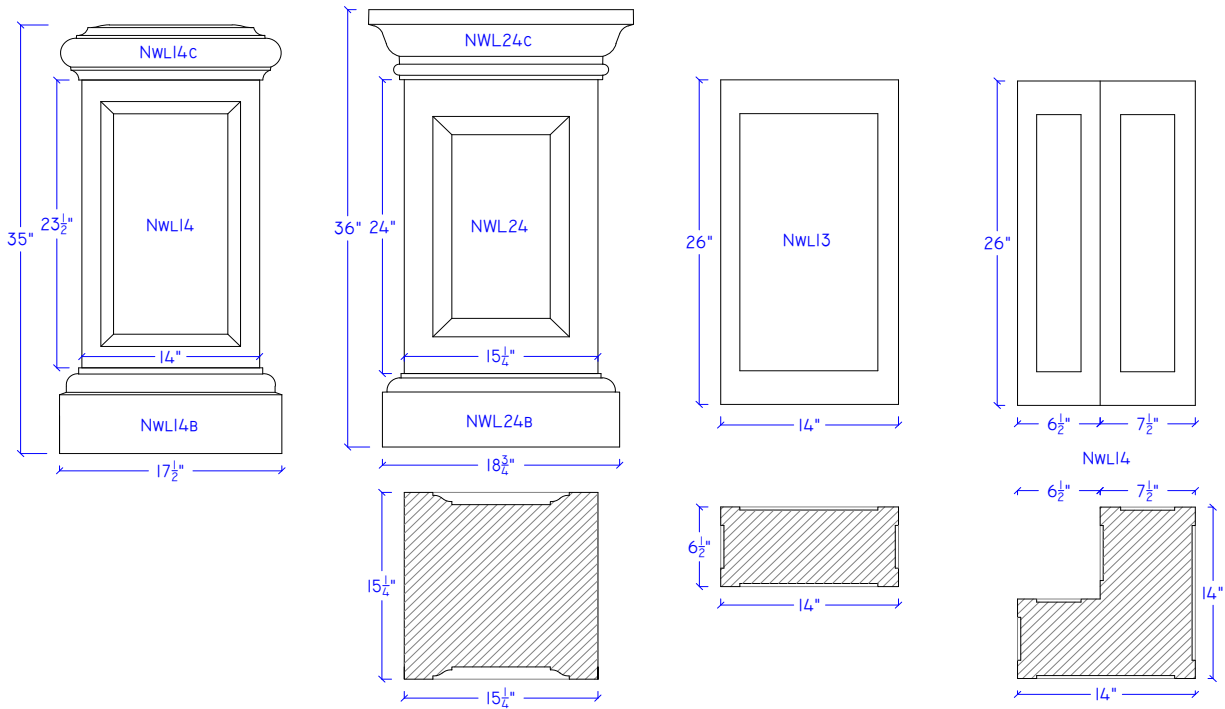
VENTURA CA 93001

PH: (805) 889-1208

VINTAGECASTSTONE.COM

Balustrade

NEWEL POSTS



VINTAGE CAST STONE MANUFACTURES ©

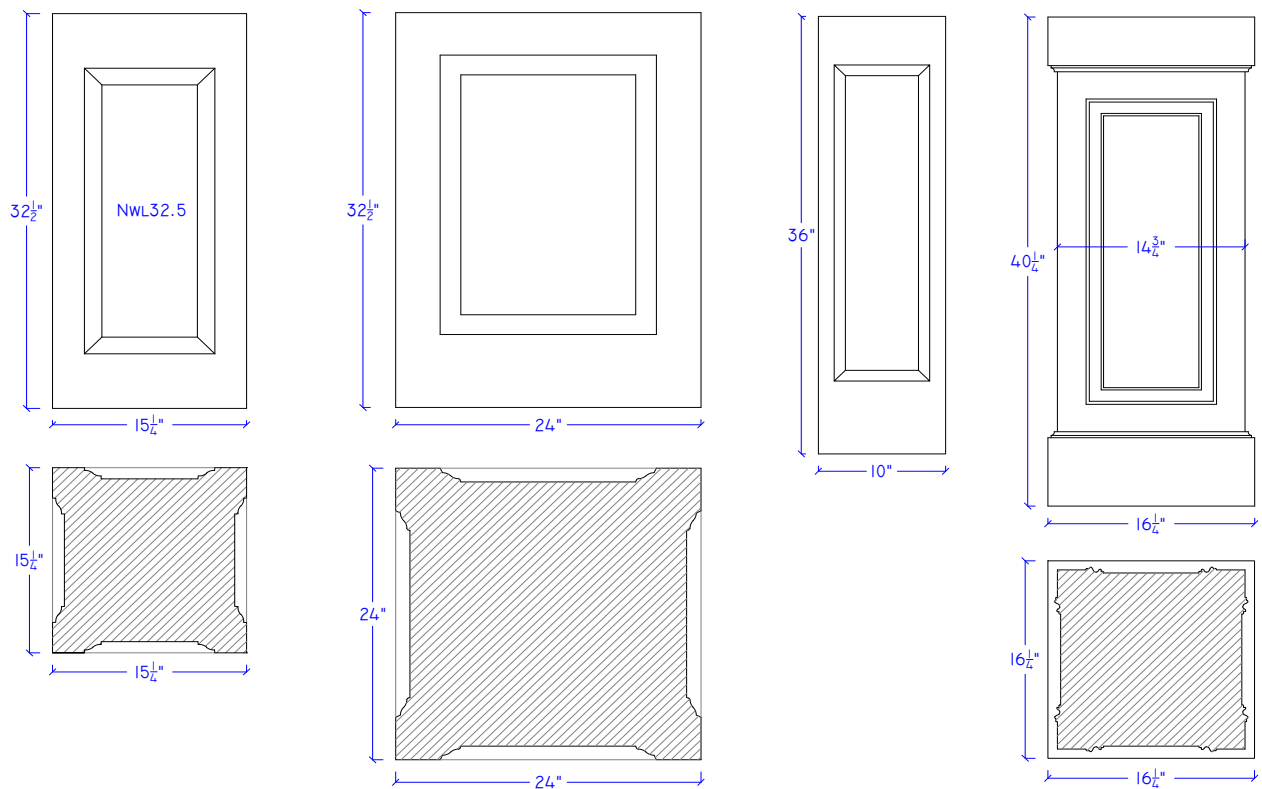
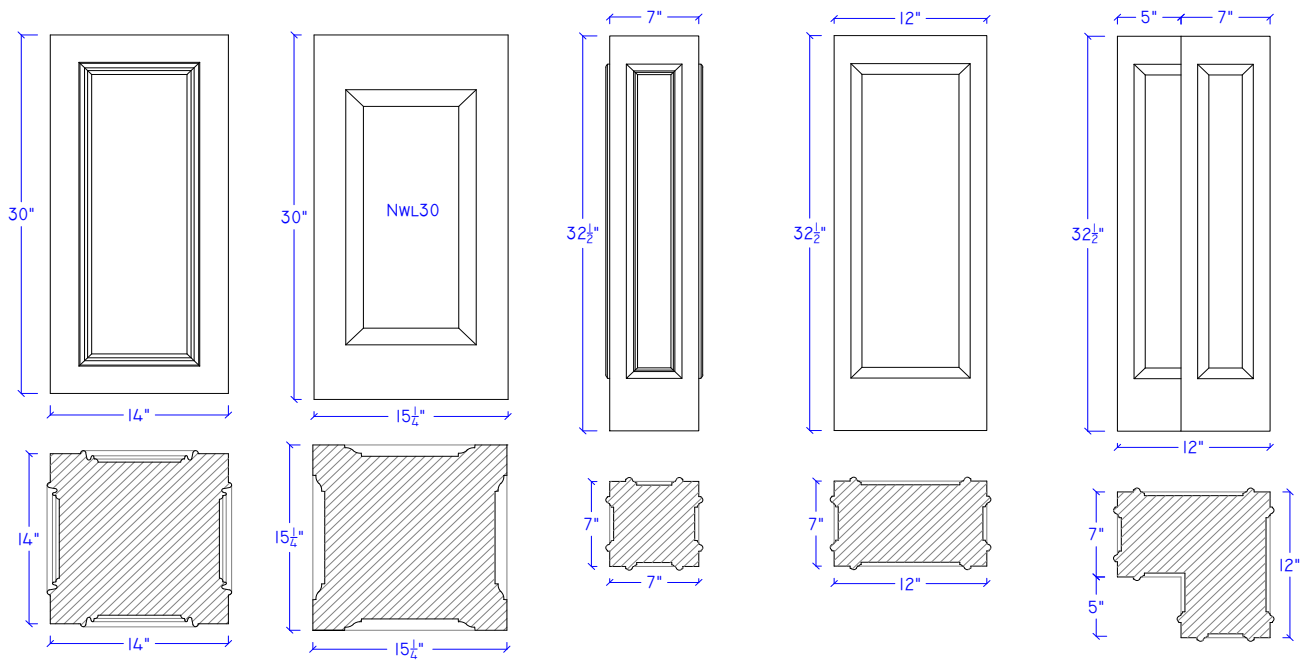
215 ROCKLITE RD.

VENTURA CA 93001

PH: (805) 889-1208

VINTAGECASTSTONE.COM

Newel Posts



VINTAGE CAST STONE MANUFACTURES ©

215 ROCKLITE RD.

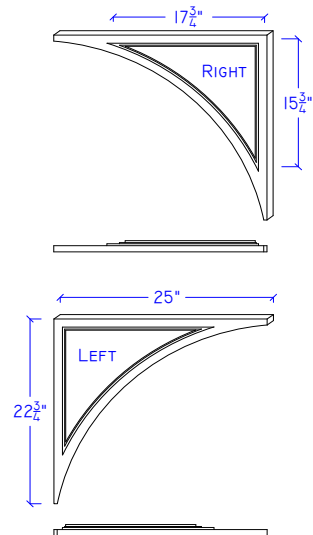
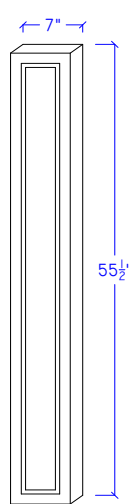
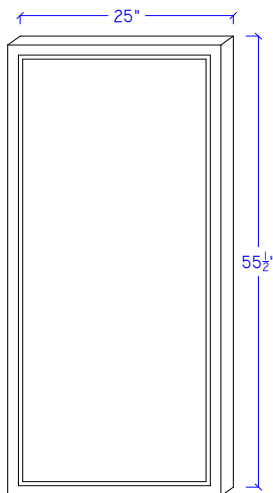
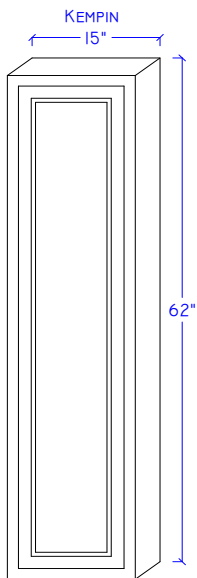
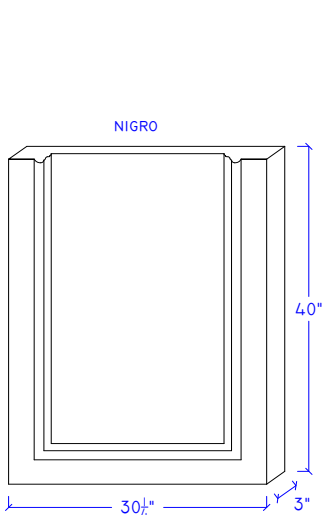
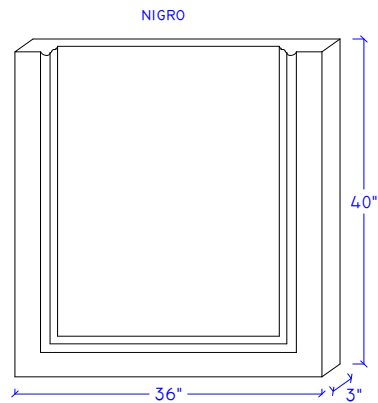
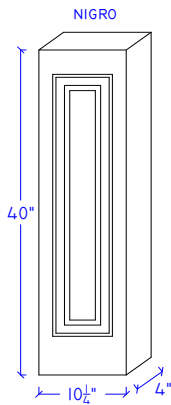
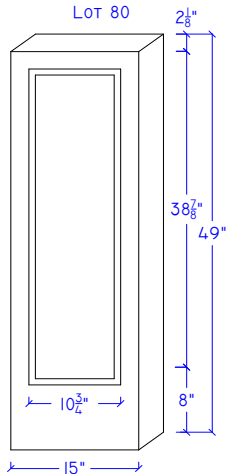
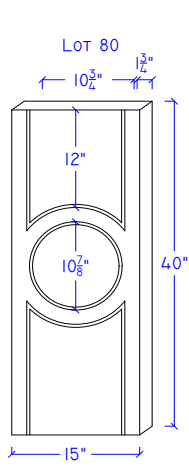
VENTURA CA 93001

PH: (805) 889-1208

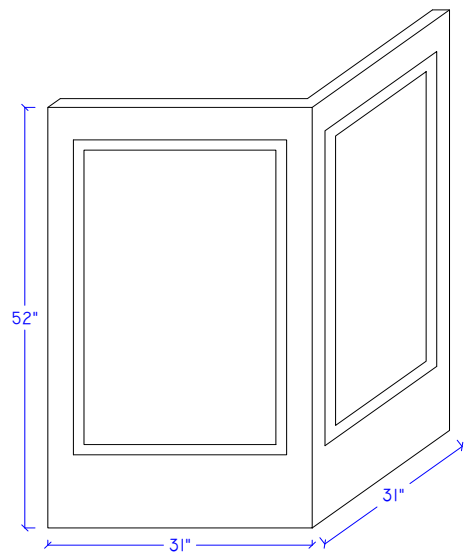
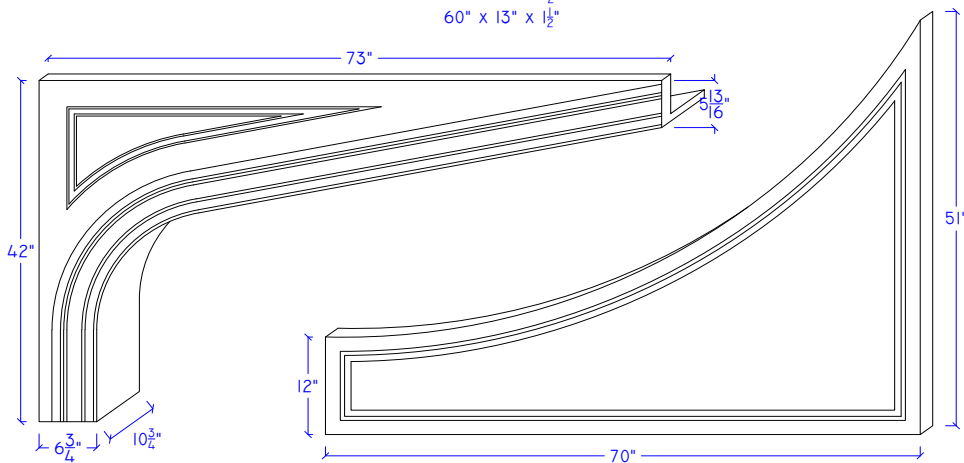
VINTAGECASTSTONE.COM

Newel Posts

PANELS



SIZES:
31" x 15" x 1 1/2"
62" x 15" x 1 1/2"
36" x 13" x 1 1/2"
60" x 13" x 1 1/2"



VINTAGE CAST STONE MANUFACTURES ©

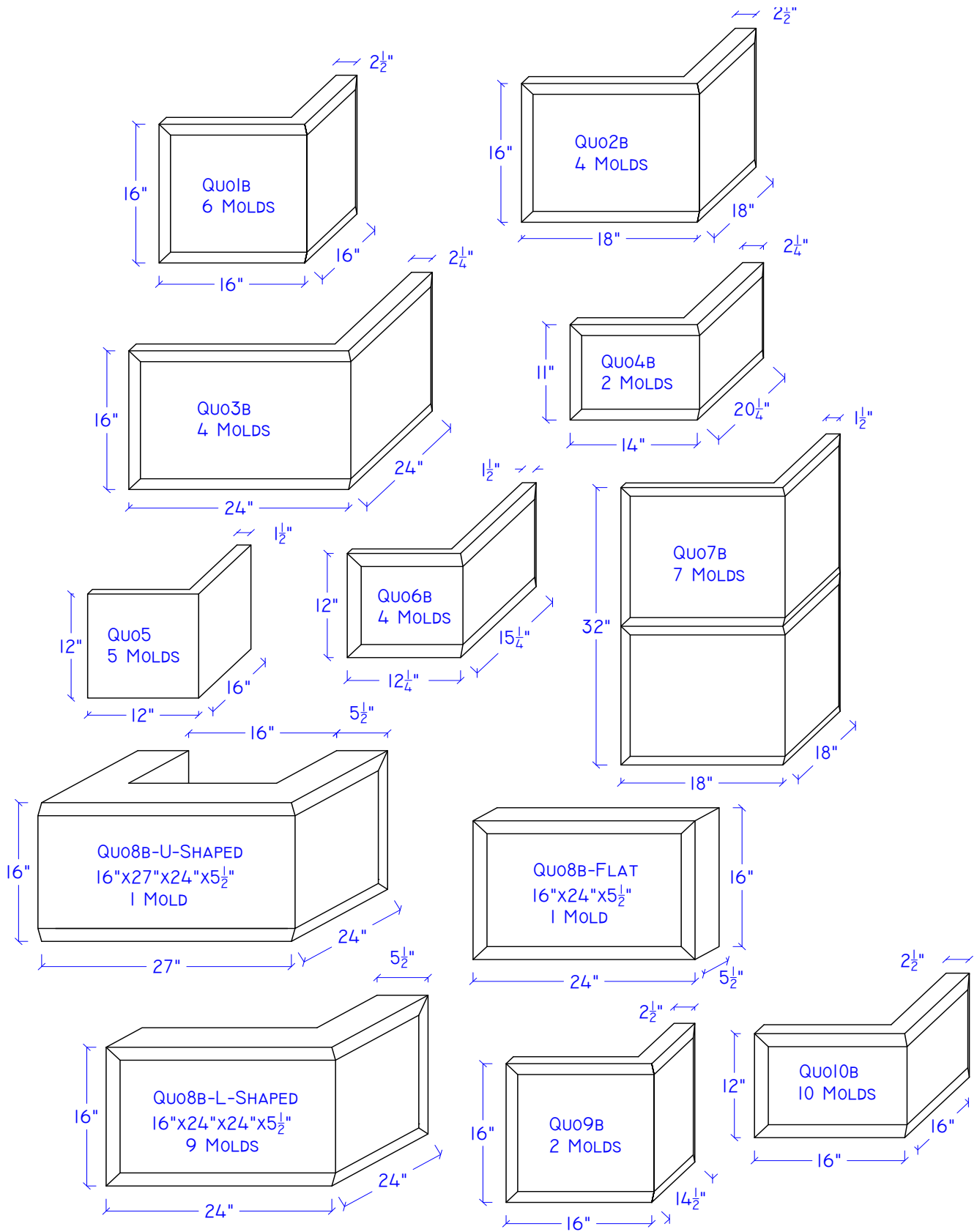
215 ROCKLITE RD.

VENTURA CA 93001

PH: (805) 889-1208

VINTAGECASTSTONE.COM

Panels



VINTAGE CAST STONE MANUFACTURES ©

215 ROCKLITE RD.

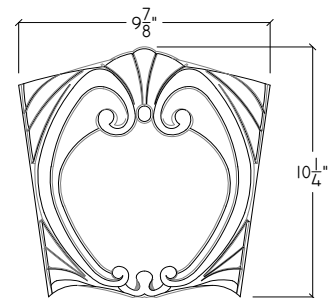
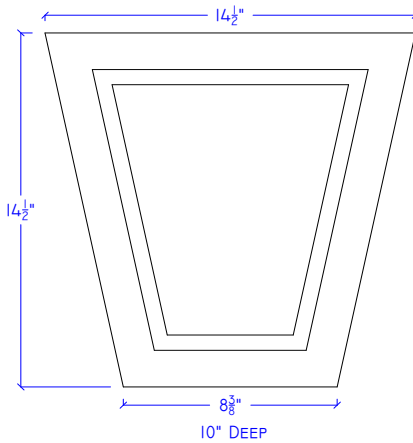
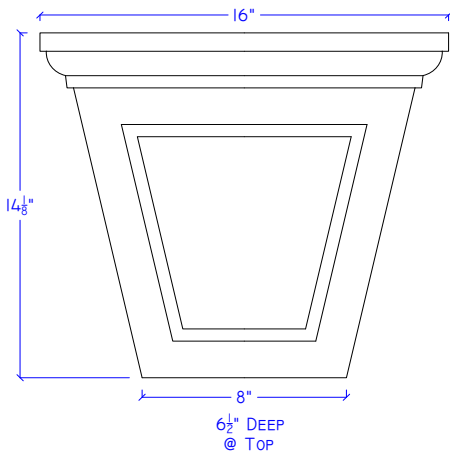
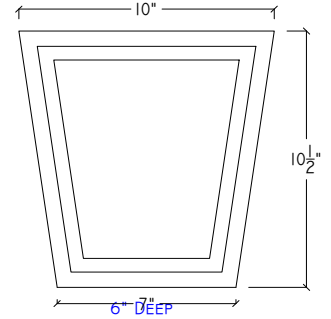
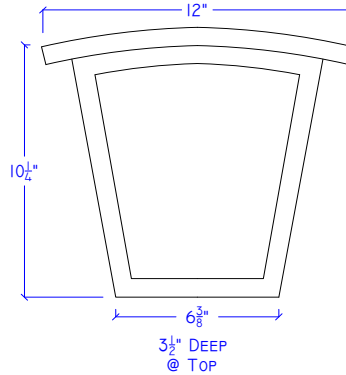
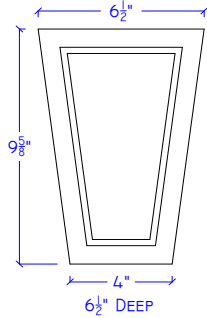
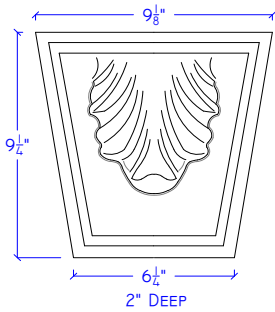
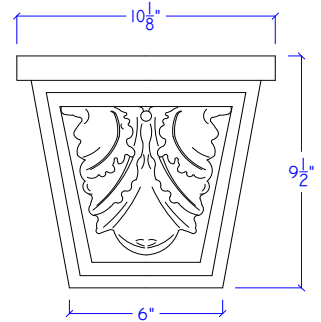
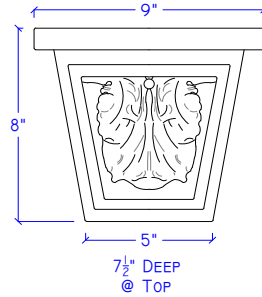
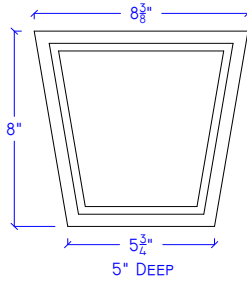
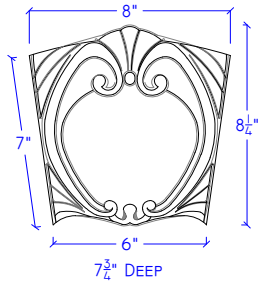
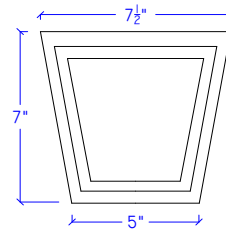
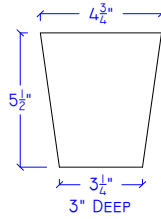
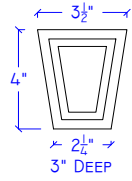
VENTURA CA 93001

PH: (805) 889-1208

VINTAGECASTSTONE.COM

Quoins

KEYSTONES



VINTAGE CAST STONE MANUFACTURES ©

215 ROCKLITE RD.

VENTURA CA 93001

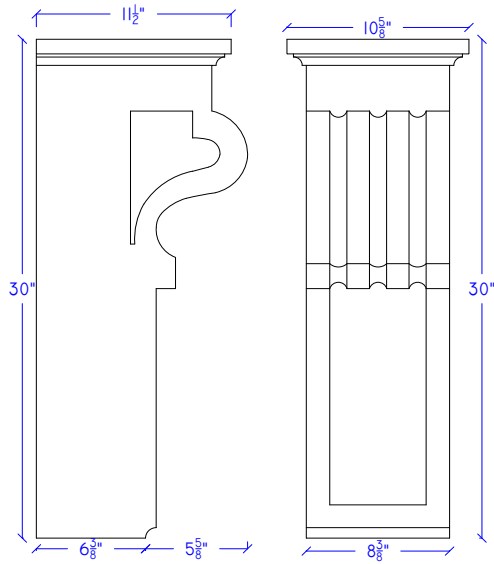
PH: (805) 889-1208

VINTAGECASTSTONE.COM

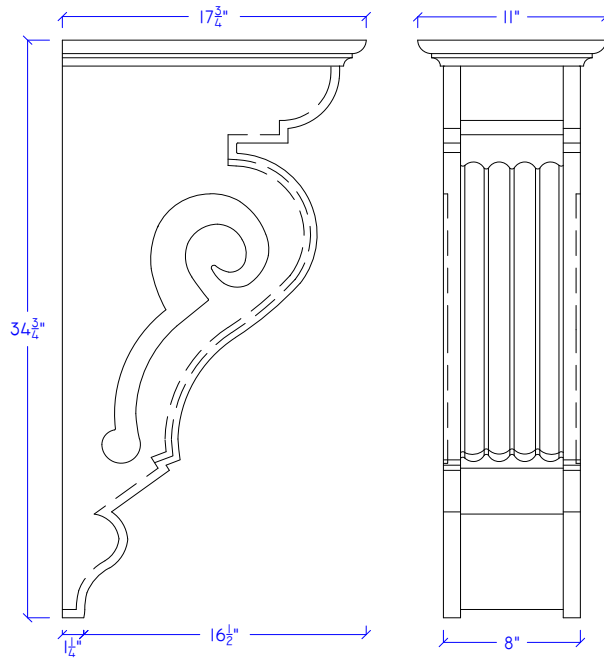
Keystones

CORBELS

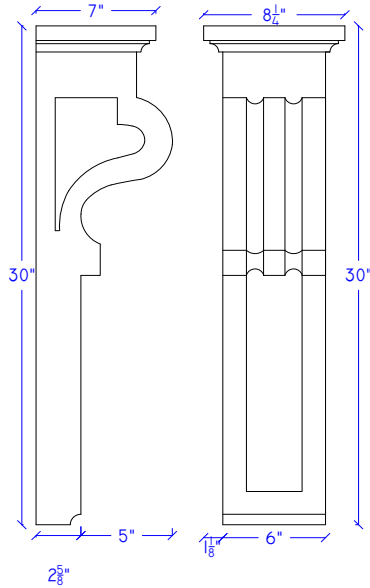
CBL01B
LARGE ITALIAN CORBEL



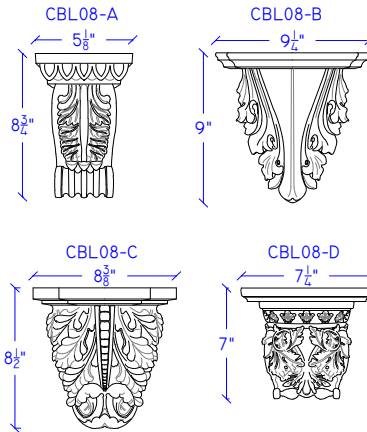
CBL09



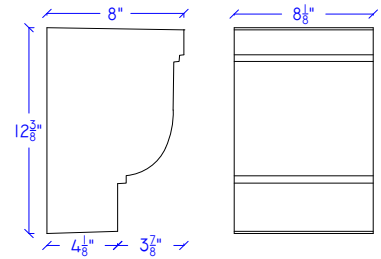
CBL01A
SMALL ITALIAN CORBEL



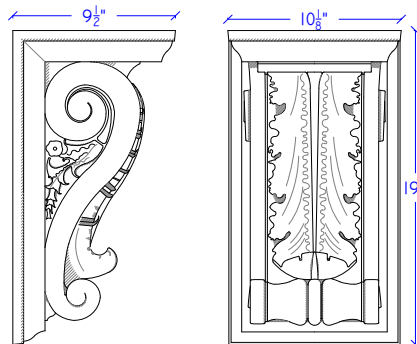
SMALL LEAF CORBELS



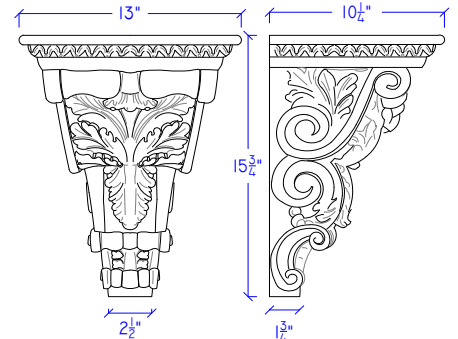
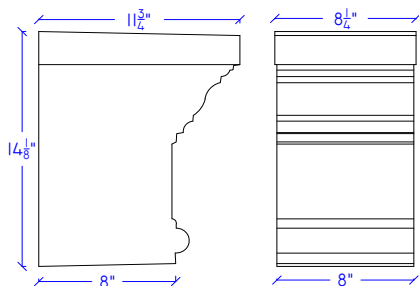
CBL07



CBL04
CANTALAS LEAF CORBEL



MTL04-14 CORBEL



VINTAGE CAST STONE MANUFACTURES ©

215 ROCKLITE RD.

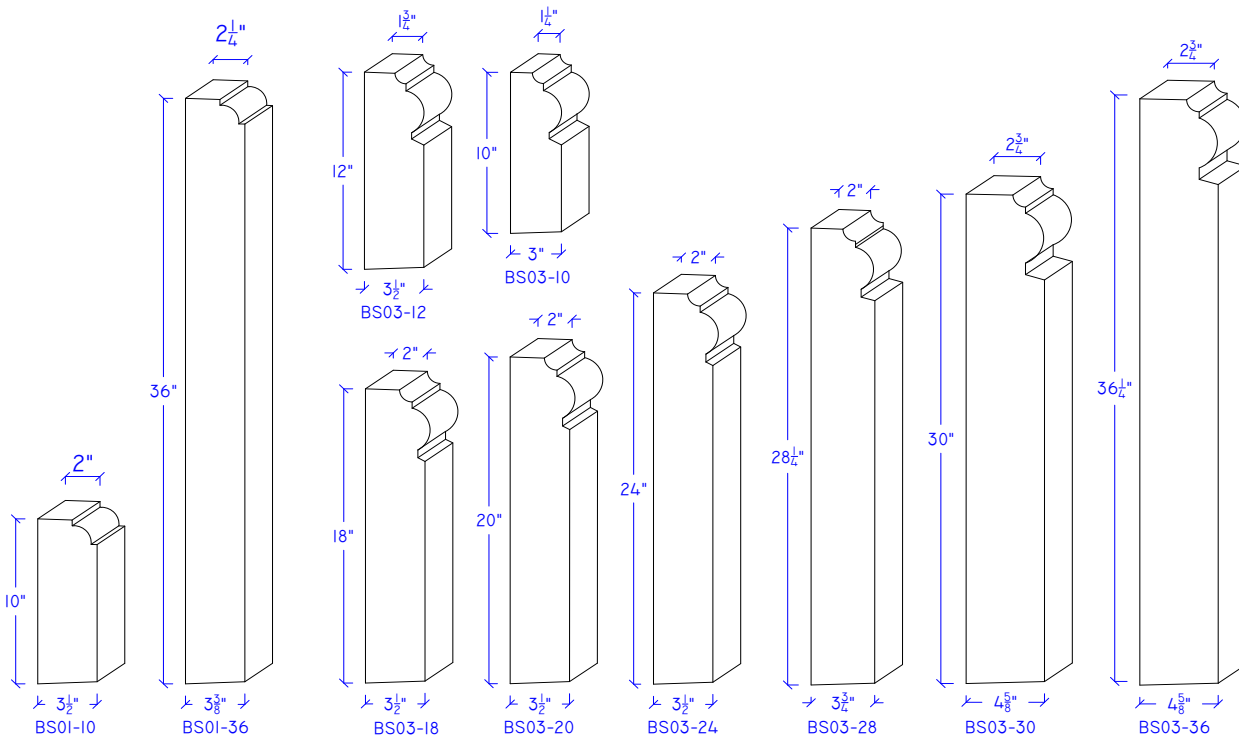
VENTURA CA 93001

PH: (805) 889-1208

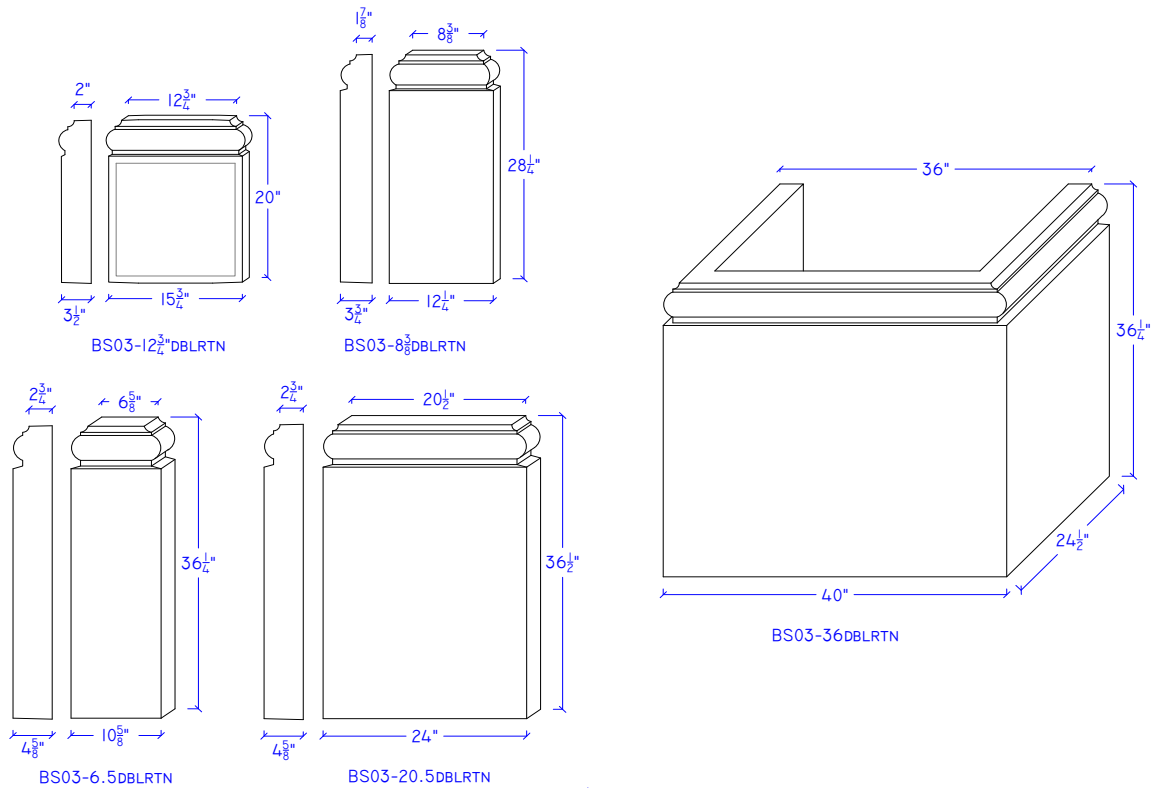
VINTAGECASTSTONE.COM

Corbels

PLINTH BASES



SCALE: 1" = 1'



SCALE: 1/2" = 1'

VINTAGE CAST STONE MANUFACTURES ©

215 ROCKLITE RD.

VENTURA CA 93001

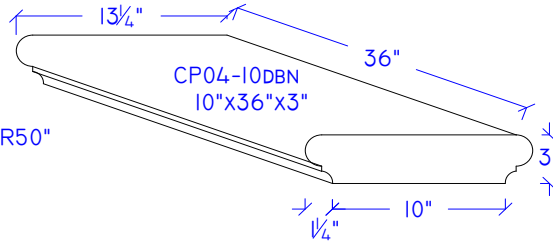
PH: (805) 889-1208

VINTAGECASTSTONE.COM

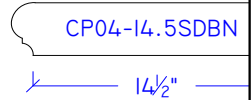
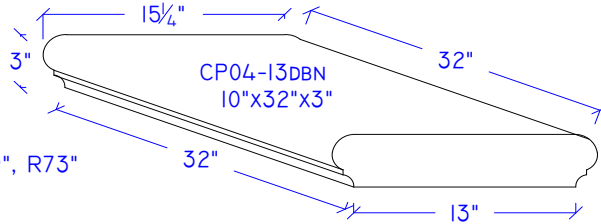
Bases

CP04 COPING & STAIR TREAD

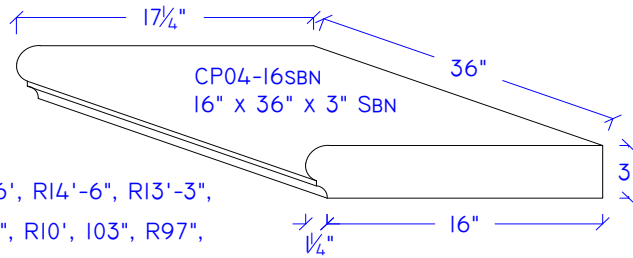
F.G. MOLDS: SIZE:
2 RADIUS 10" x 36" x 3" x R60", R50"



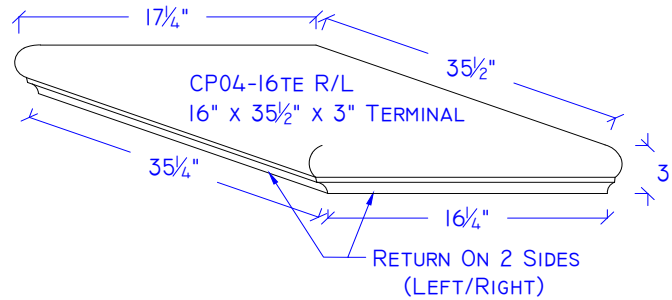
F.G. MOLDS: SIZE:
2 RADIUS 13" x 32" x 3" x R89", R73"



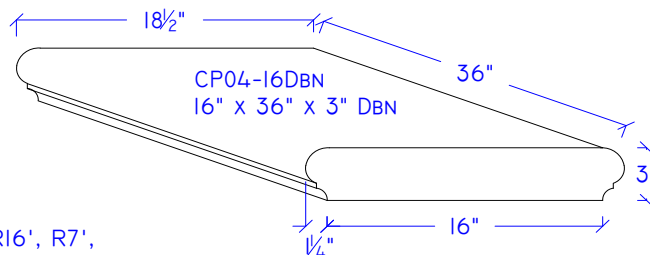
F.G. MOLDS: SIZE:
5 STRAIGHT 16" x 32" x 3"
5 STRAIGHT 16" x 36" x 3"
RADIUS 16" x 32" x 3" x R27', R16', R14'-6", R13'-3",
R12'-6", R12', R11'-3", R10', 103", R97",
R88", R81"



F.G. MOLDS: SIZE:
1 RIGHT 16 1/4" x 35 1/2" x 3"
1 LEFT 16 1/4" x 35 1/4" x 3"
2 RIGHT 30" x 34" x 3"
2 LEFT 30" x 34" x 3"



F.G. MOLDS: SIZE:
2 STRAIGHT 16" x 32" x 3"
6 STRAIGHT 16" x 36" x 3"
1 TERMINAL 16" x 32" x 3"
RADIUS 16" x 32" x 3" x R17'-8" R16', R7',
R6'-6", R4'-11", R3'-9"



VINTAGE CAST STONE MANUFACTURES ©

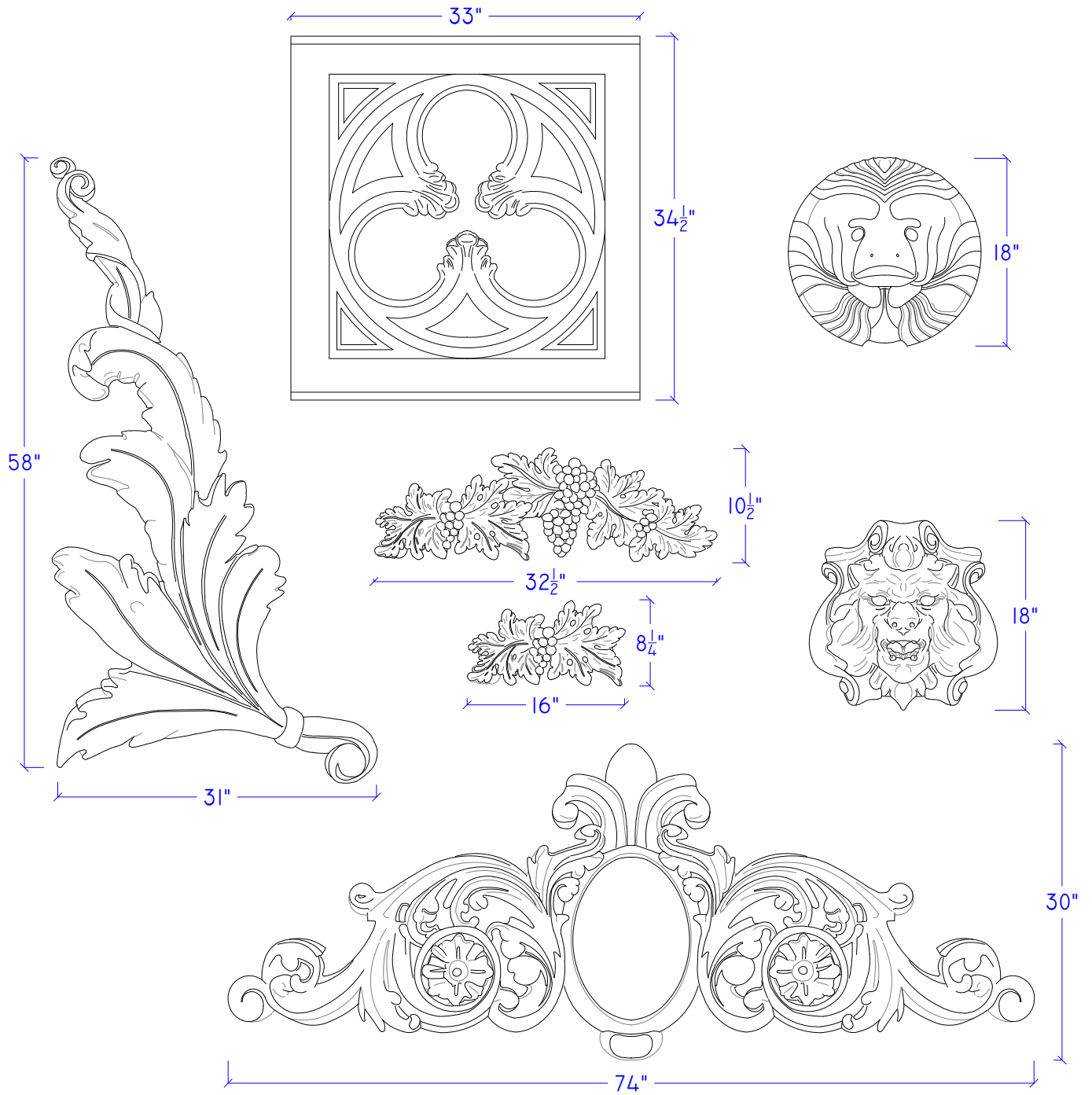
215 ROCKLITE RD.

VENTURA CA 93001

PH: (805) 889-1208

VINTAGECASTSTONE.COM

Coping



VINTAGE CAST STONE MANUFACTURES®

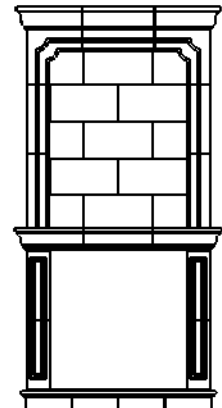
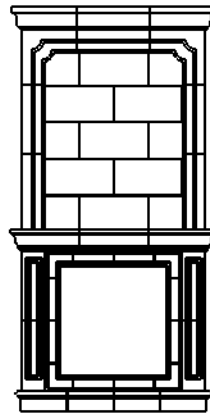
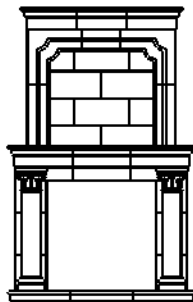
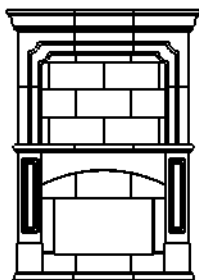
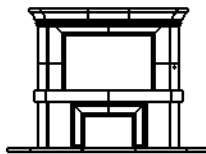
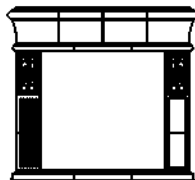
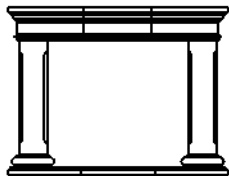
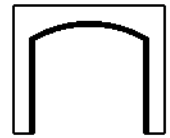
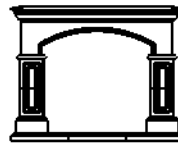
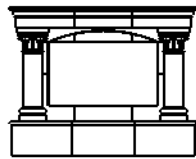
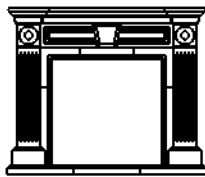
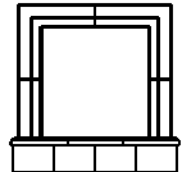
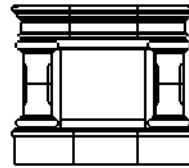
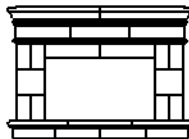
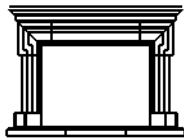
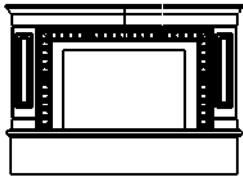
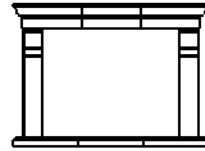
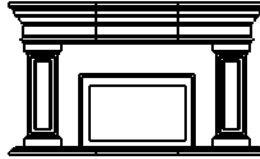
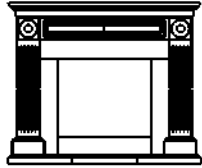
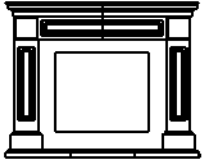
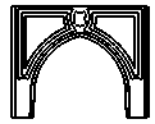
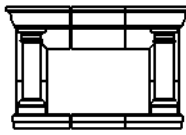
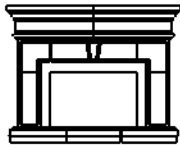
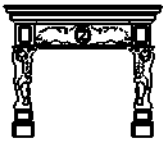
215 ROCKLITE RD.

VENTURA CA 93001

PH: (805) 889-1208

VINTAGECASTSTONE.COM

MISC.



VINTAGE CAST STONE MANUFACTURES

215 ROCKLITE RD.

VENTURA CA 93001

PH: (805) 889-1208

VINTAGECASTSTONE.COM

Fireplace

